

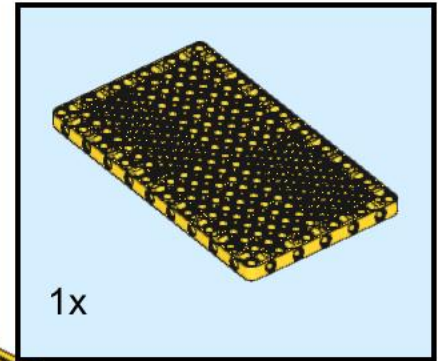
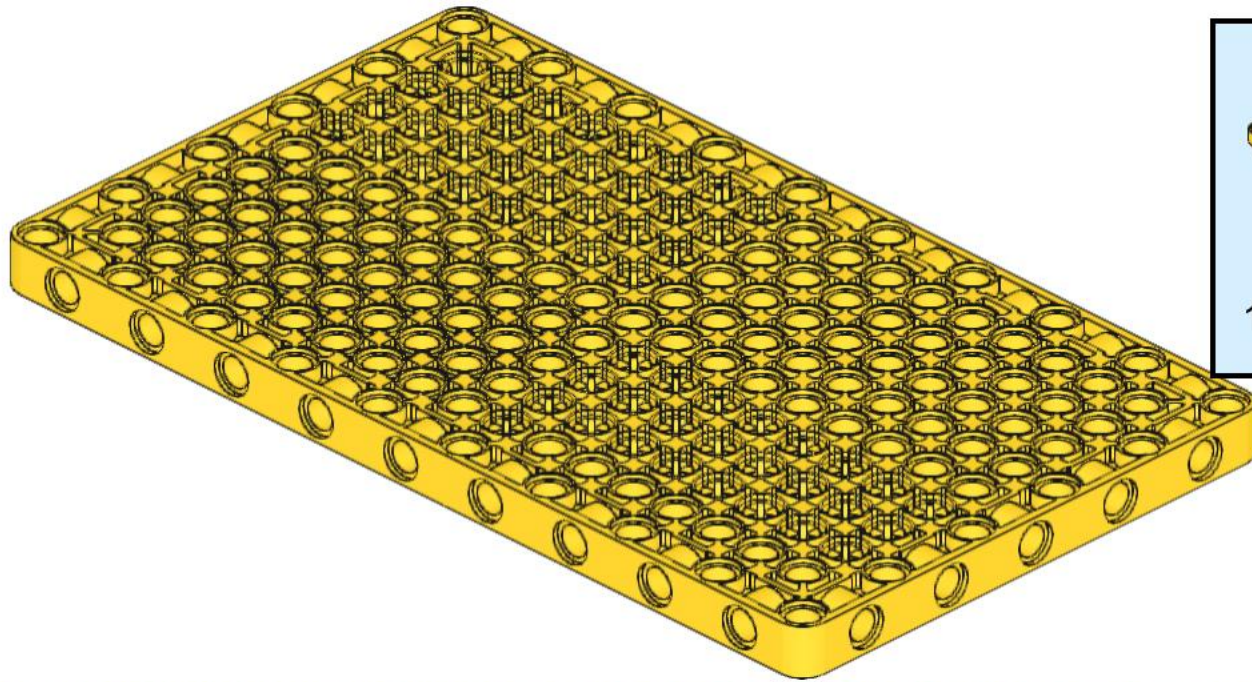


LEGO® SPIKE Prime Scissor lift on YouTube:

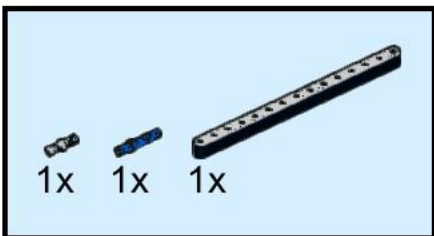
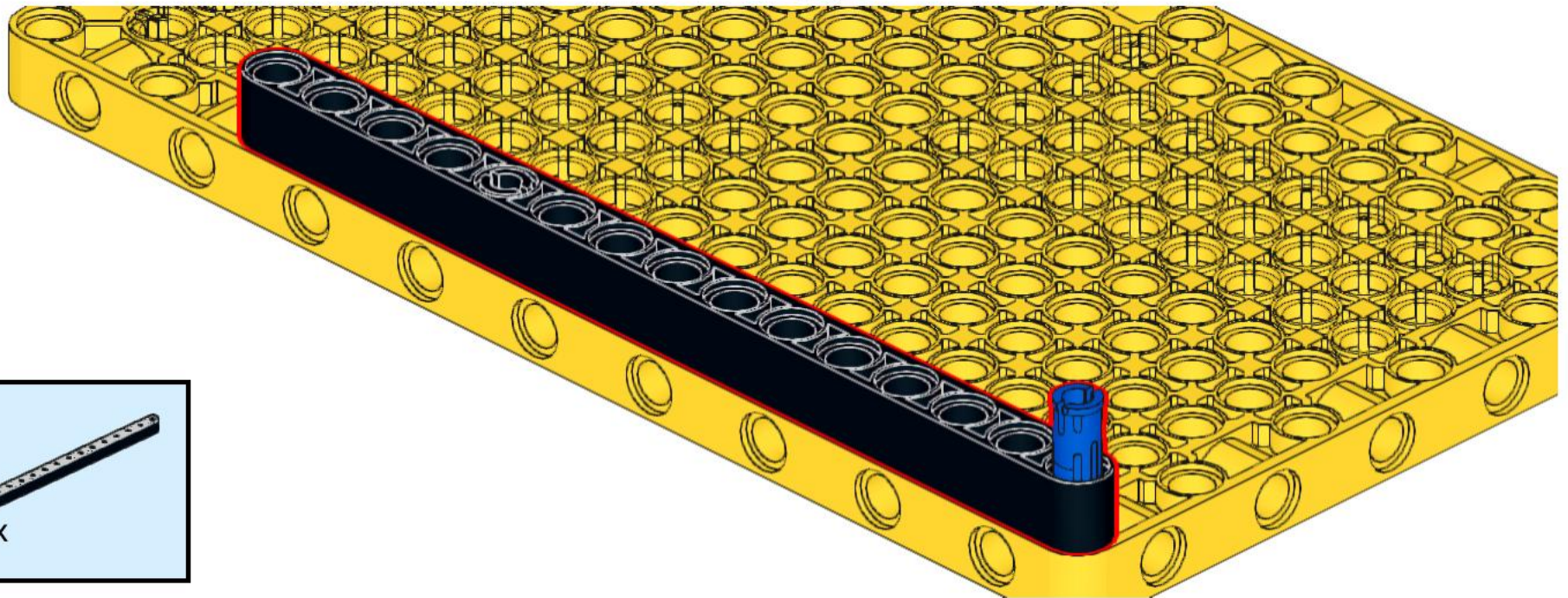
<https://youtu.be/pUyq5MCOgml>



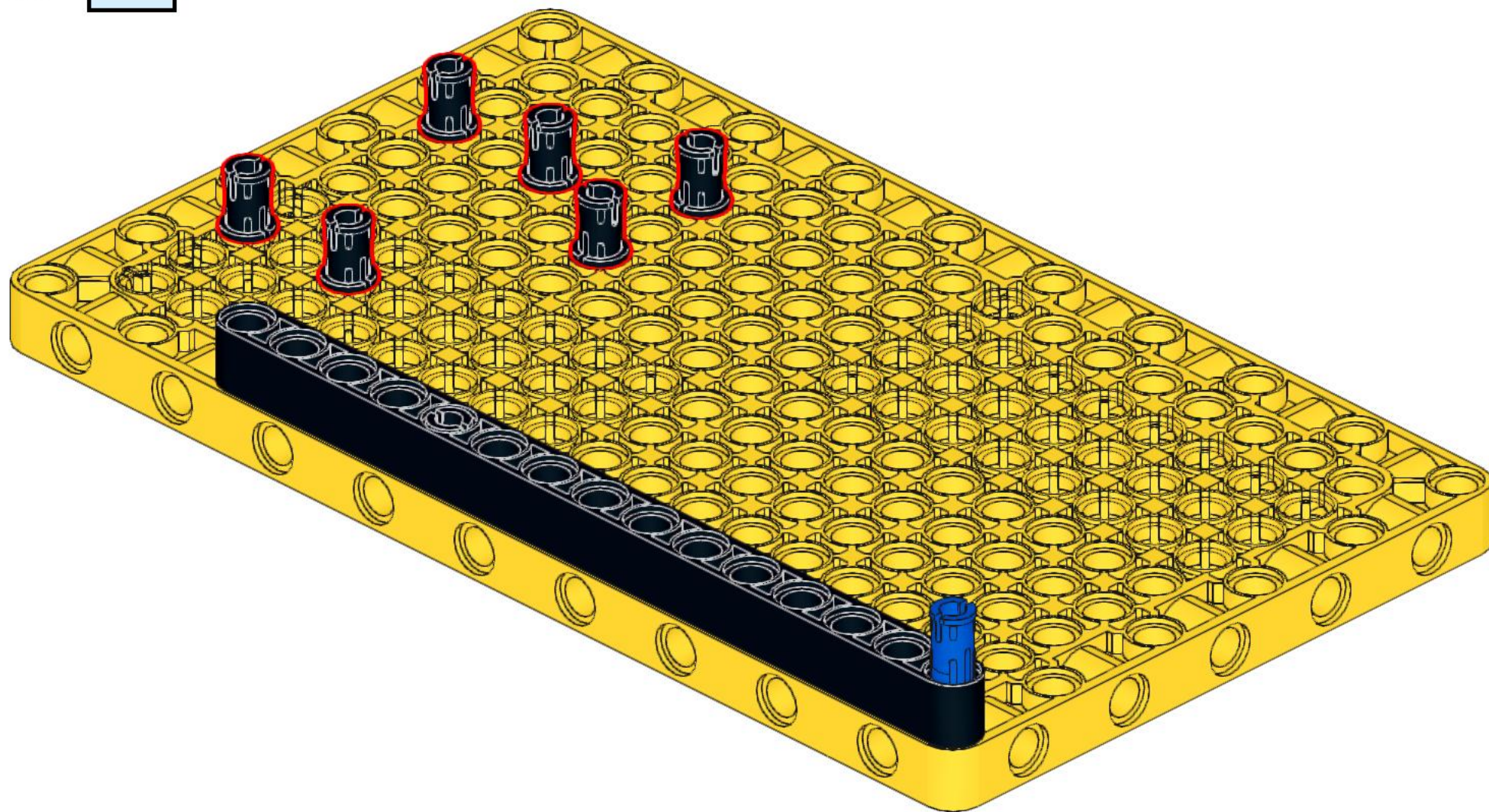
1

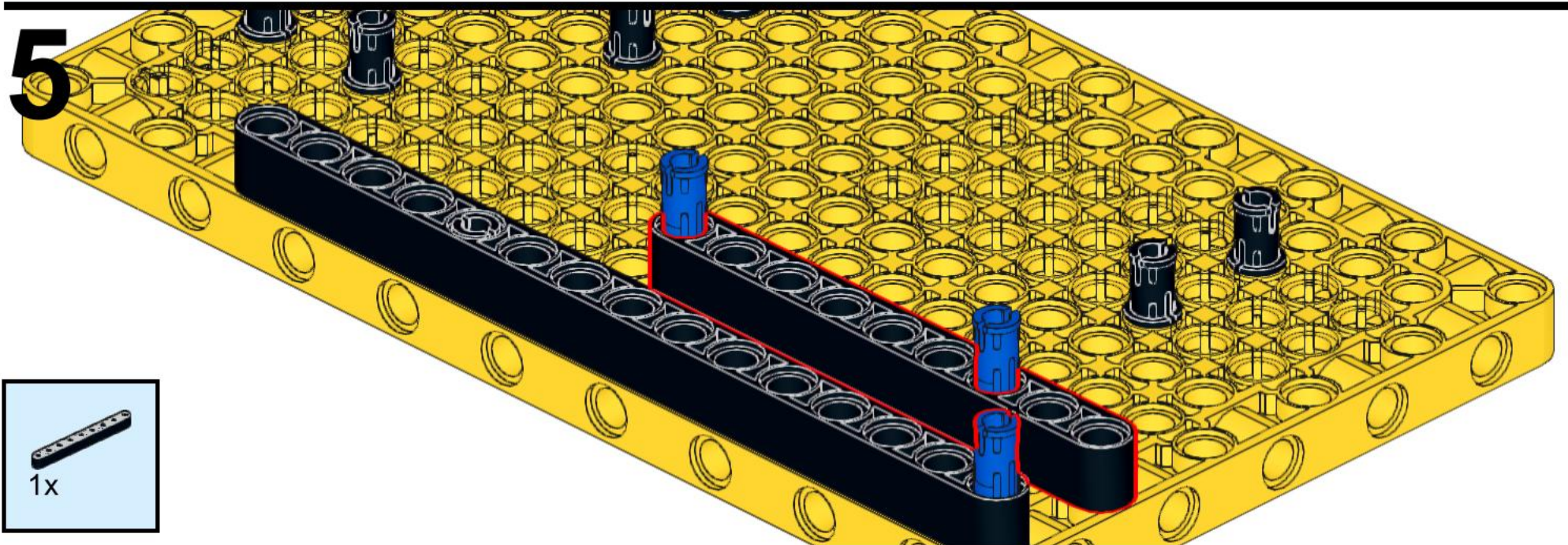
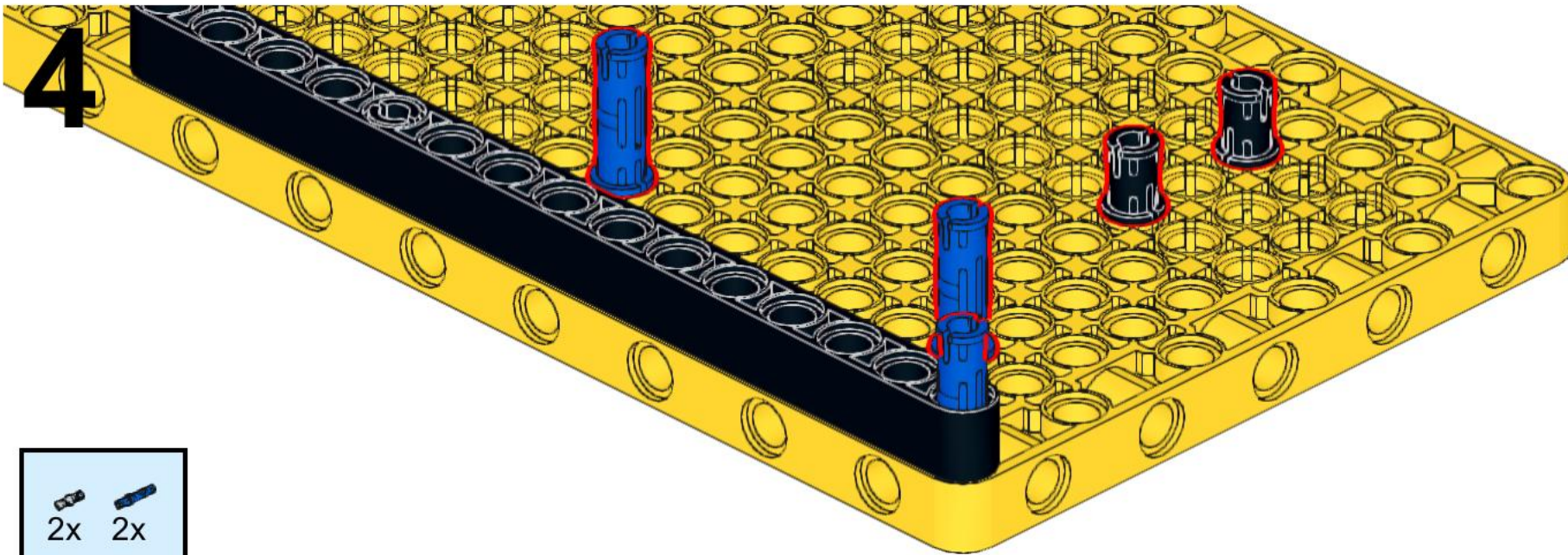


2

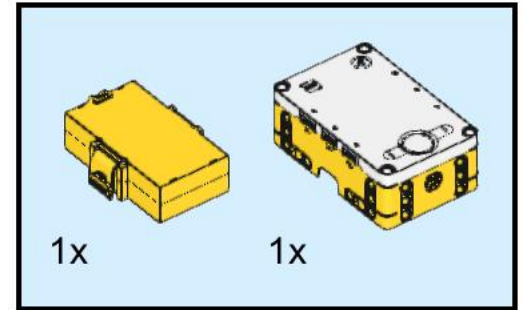
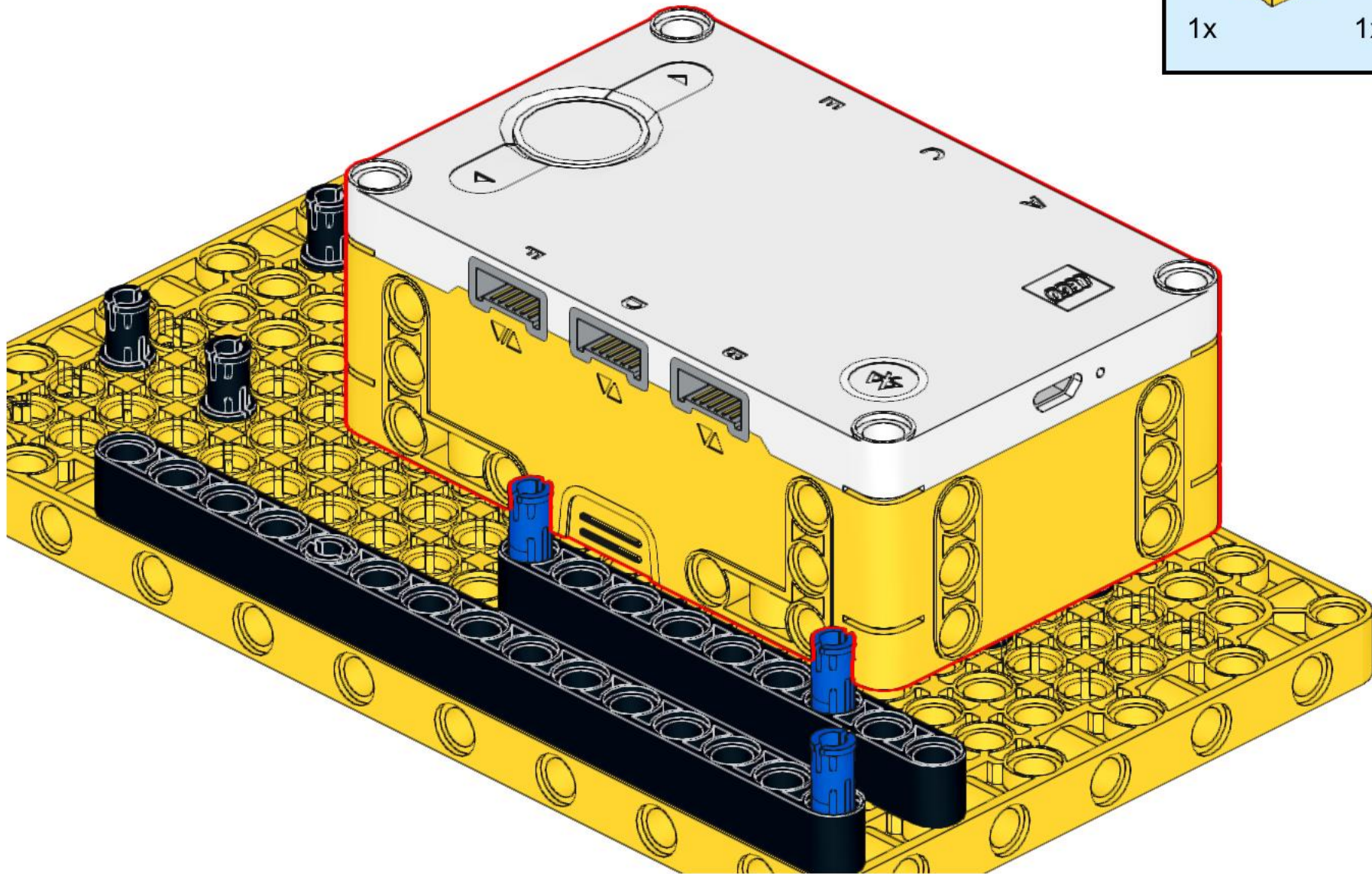


3

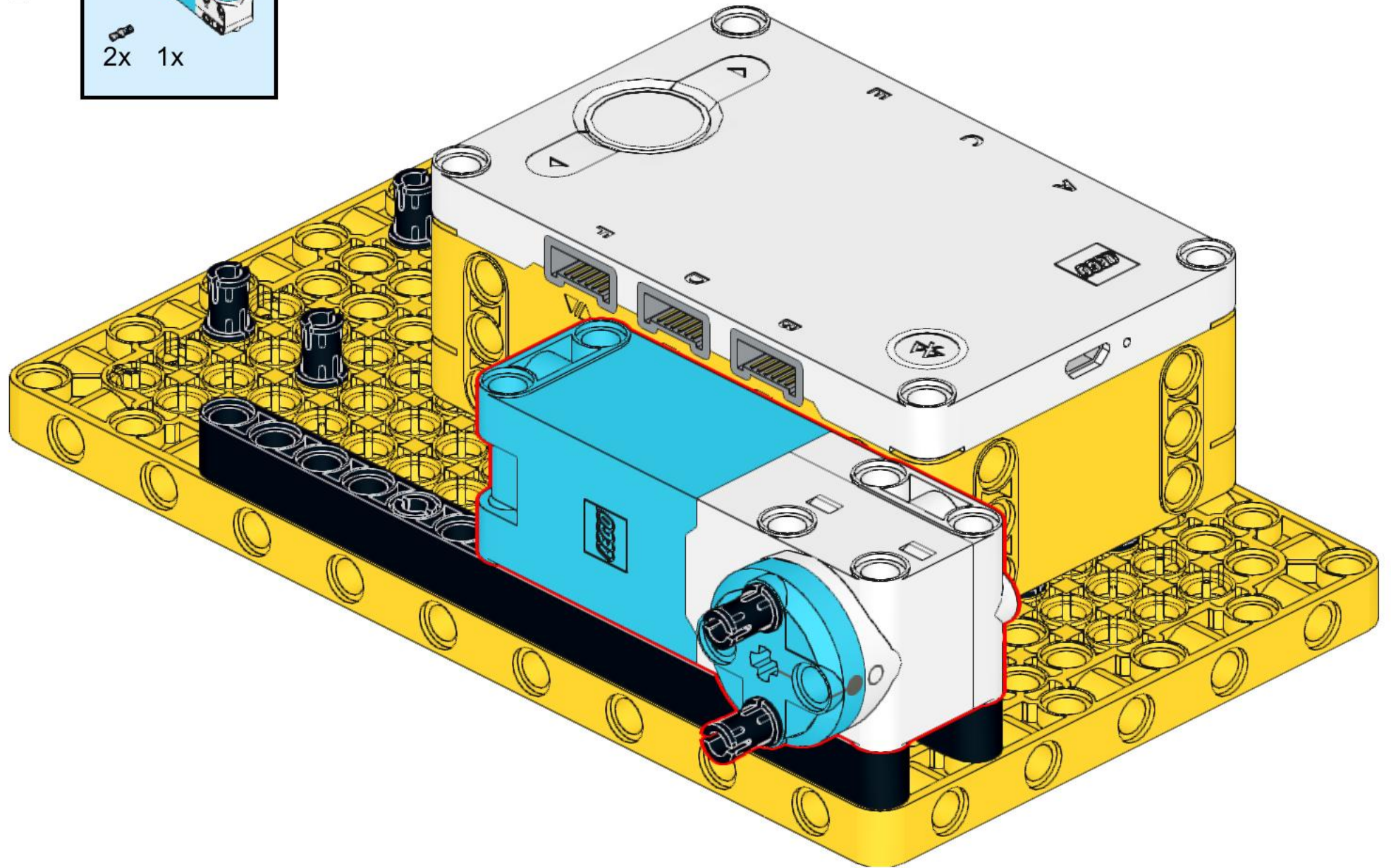
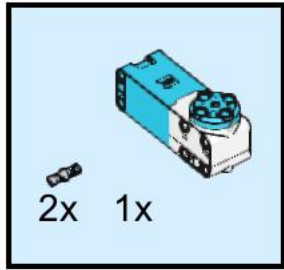




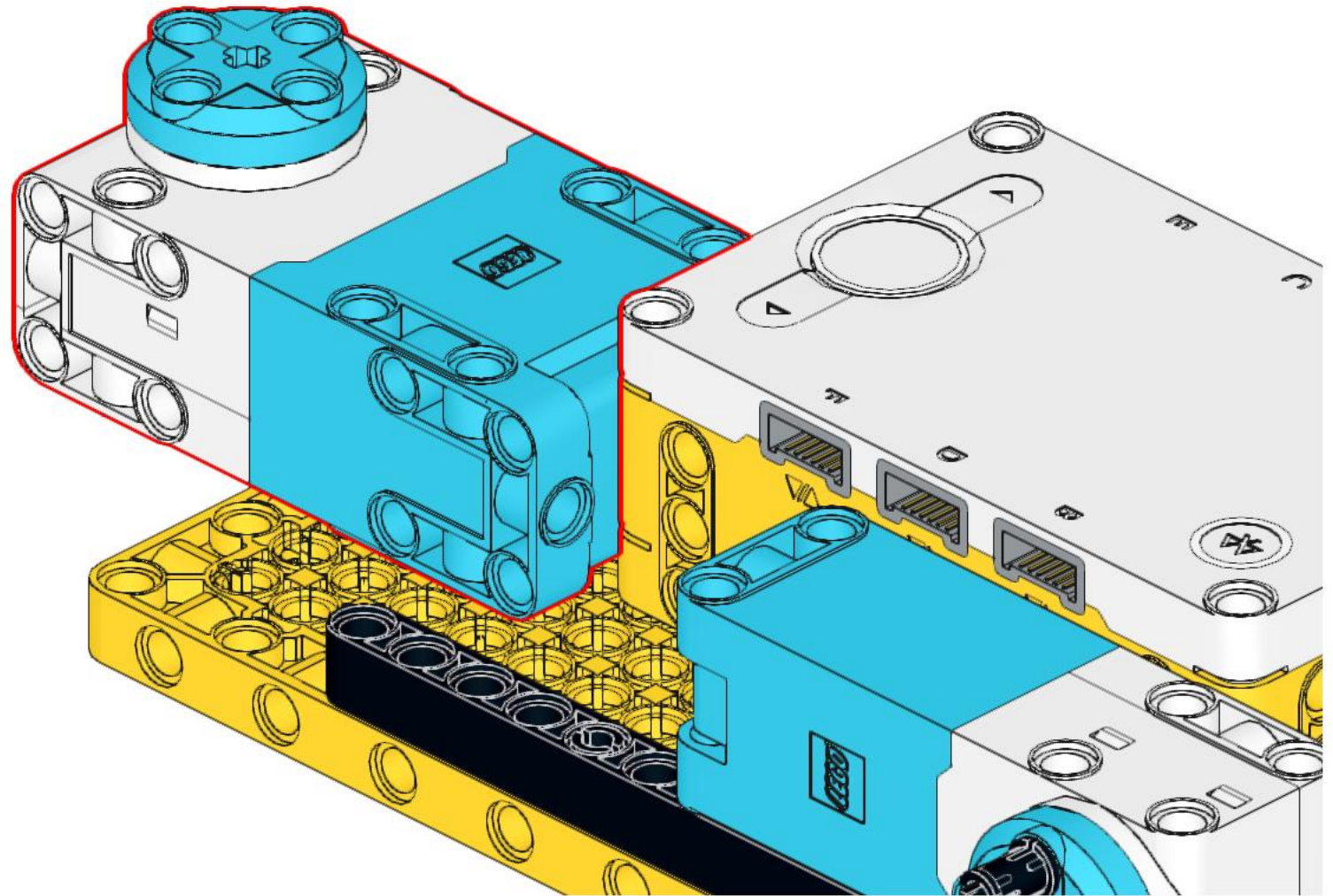
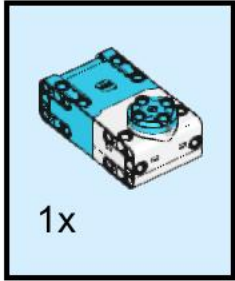
6



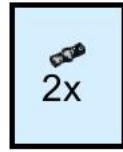
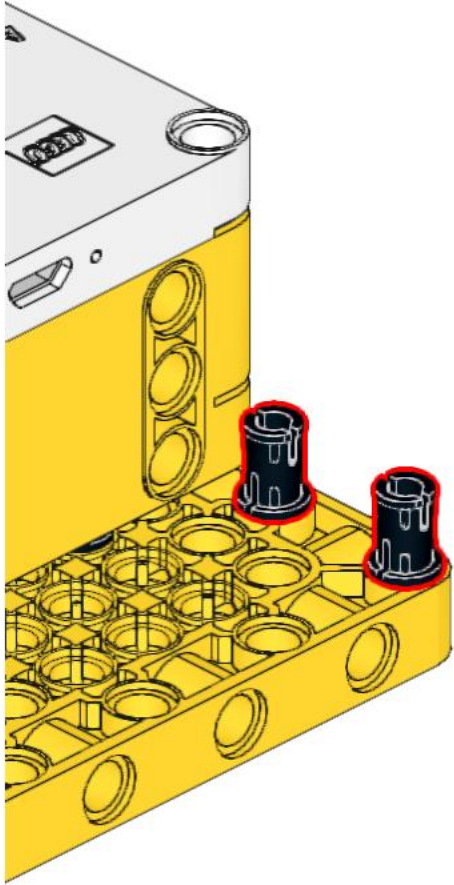
7



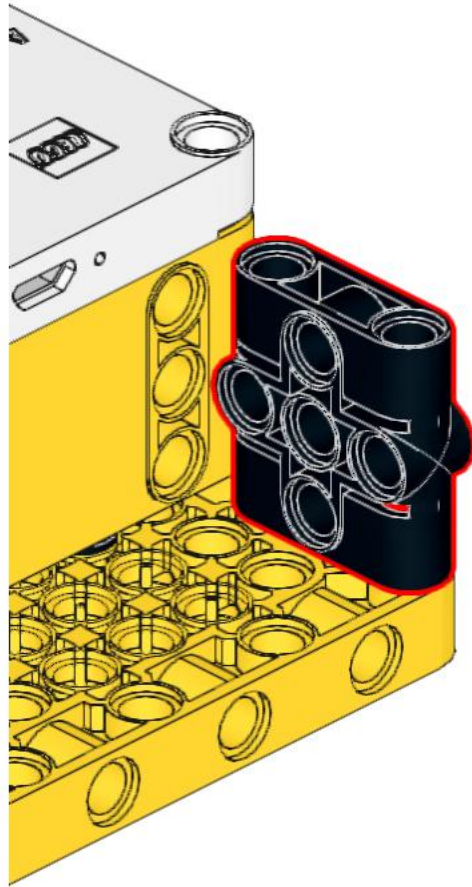
8



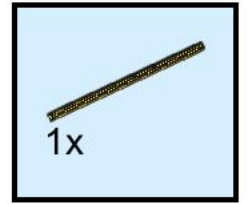
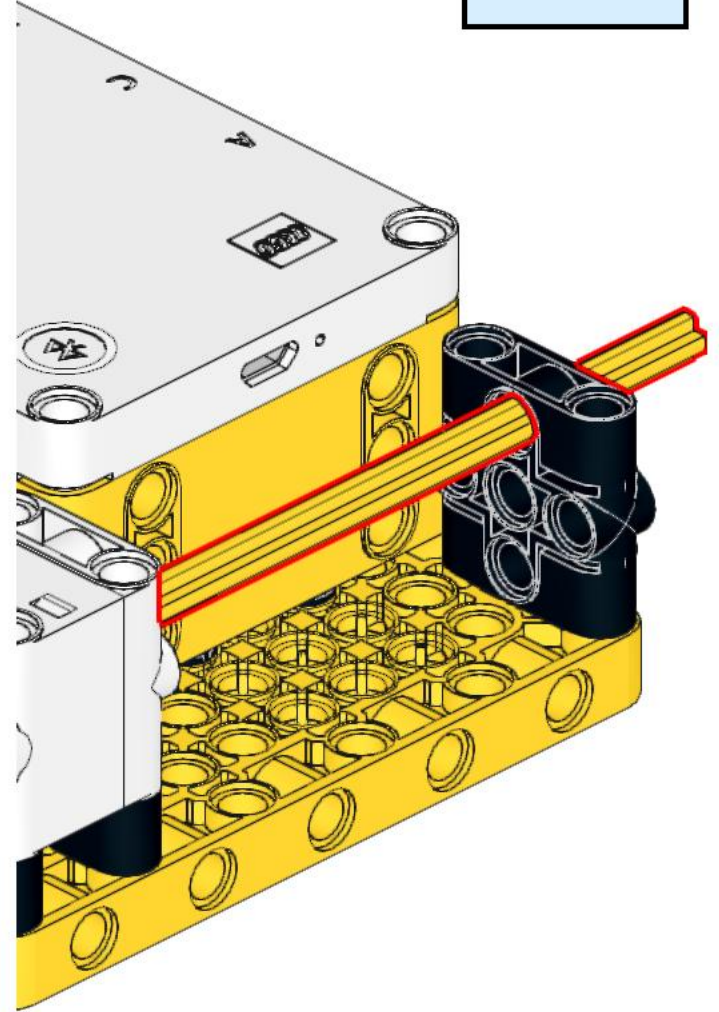
9



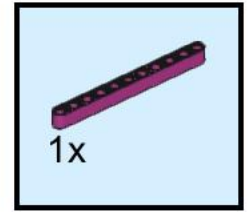
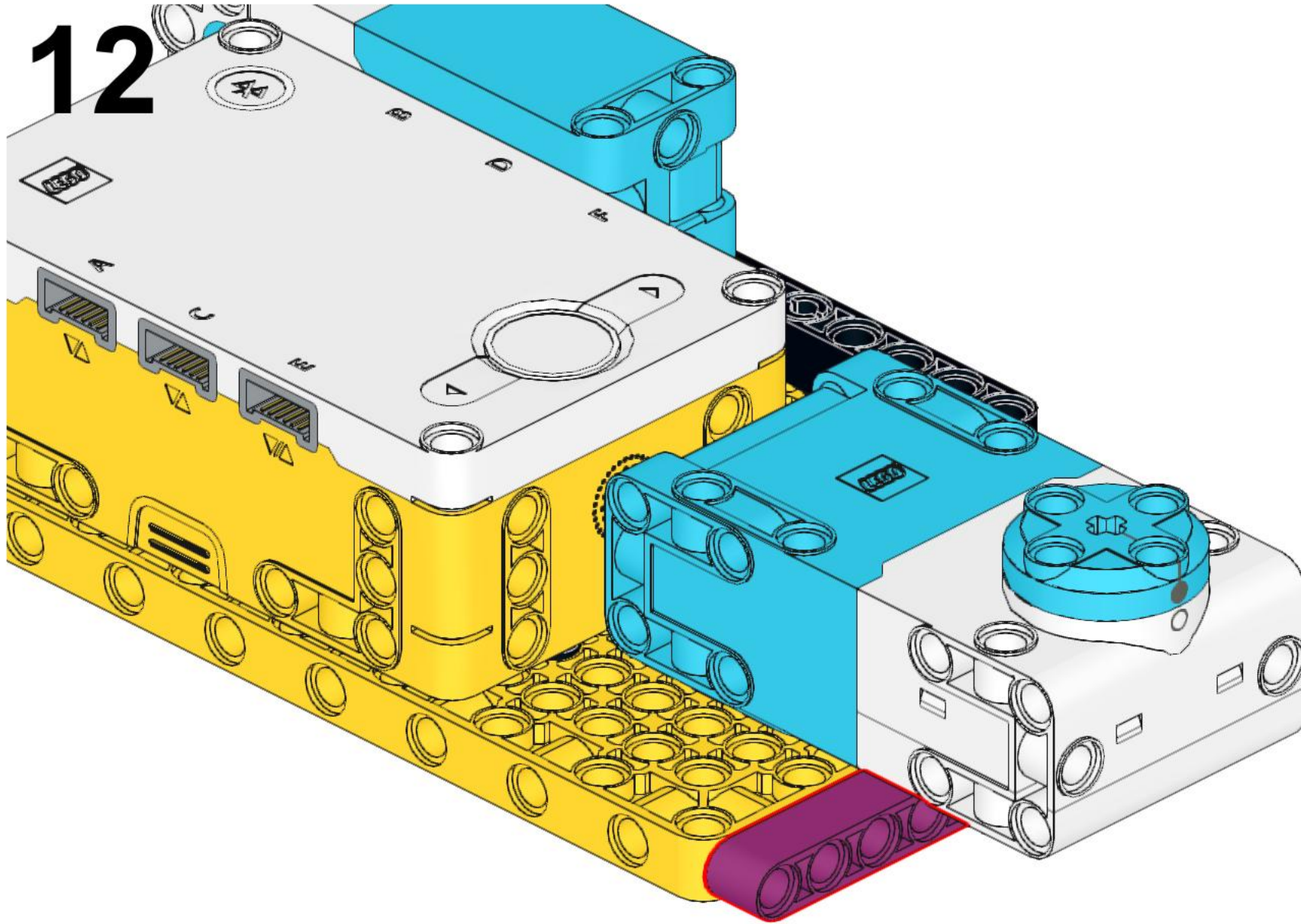
10



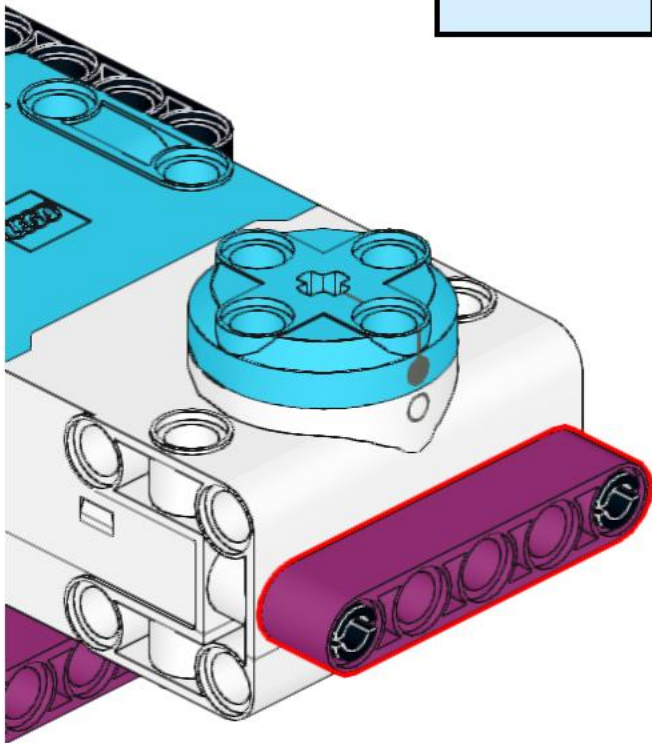
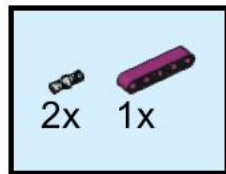
11



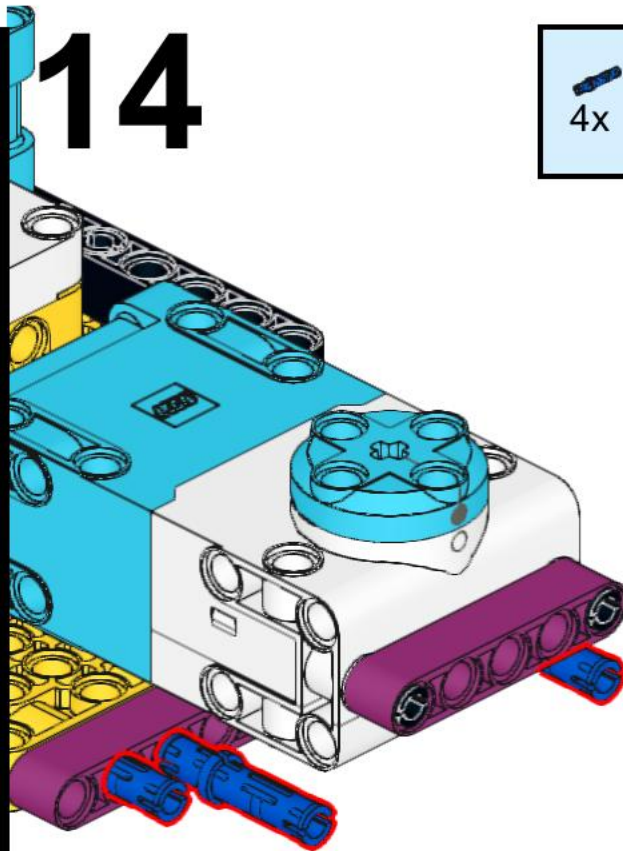
12



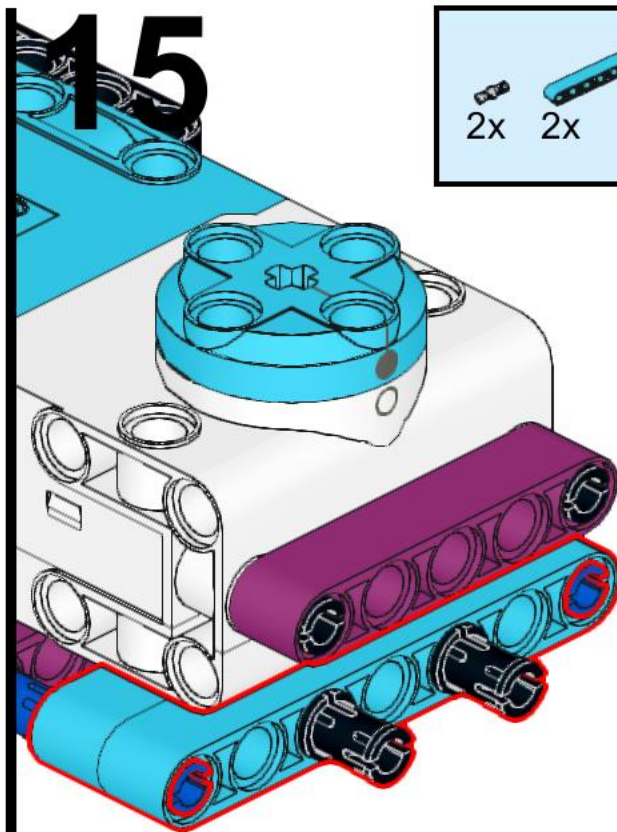
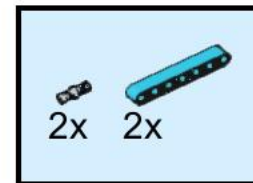
13

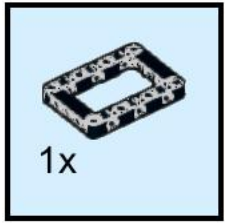
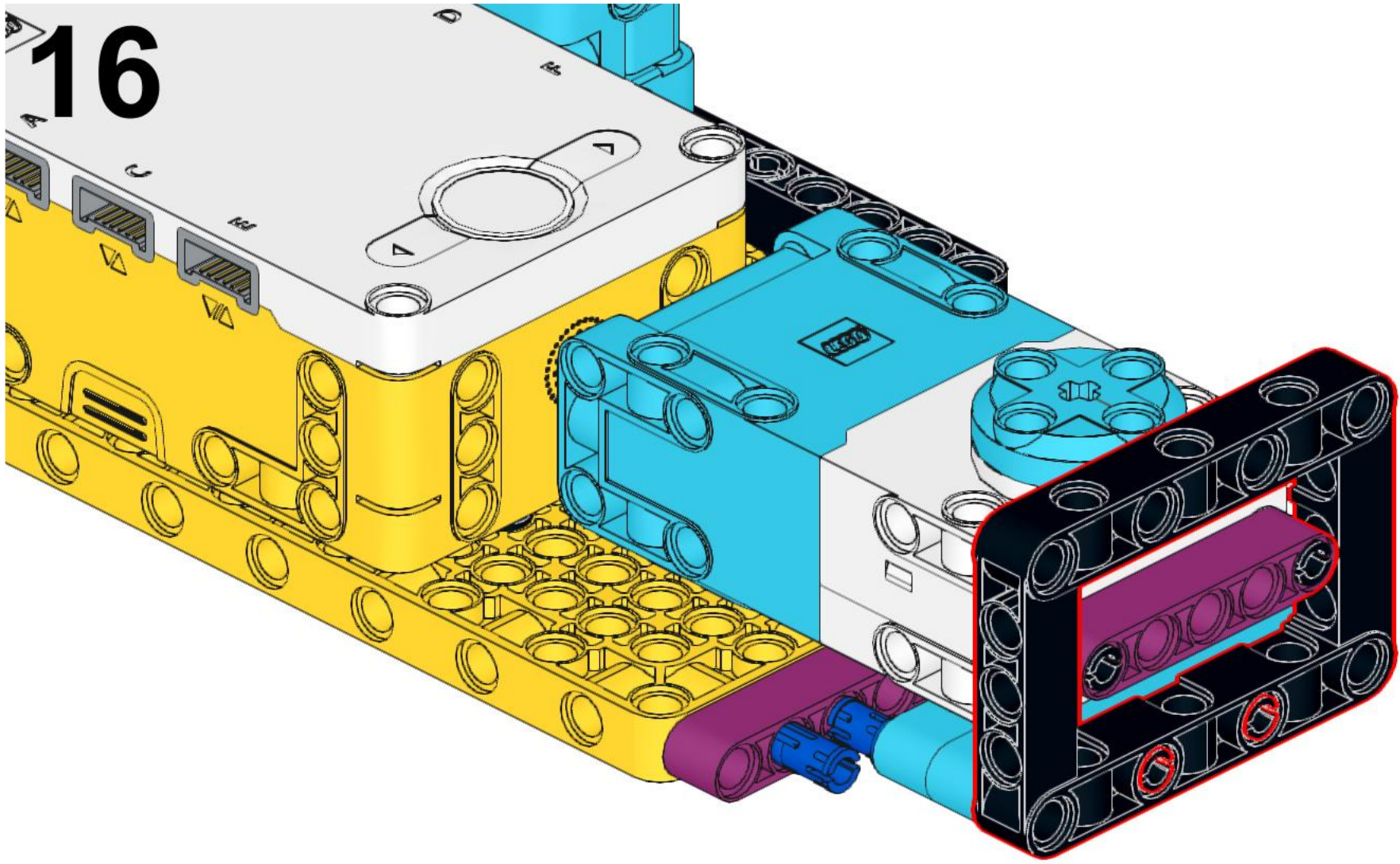


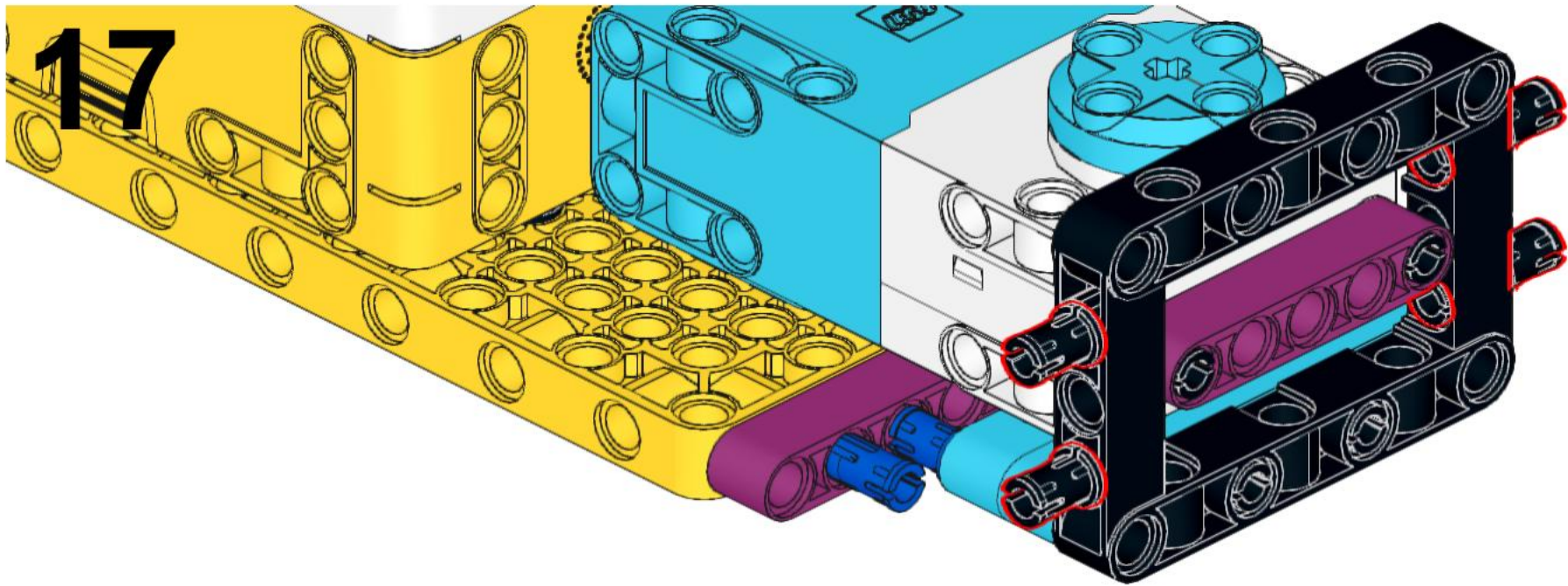
14



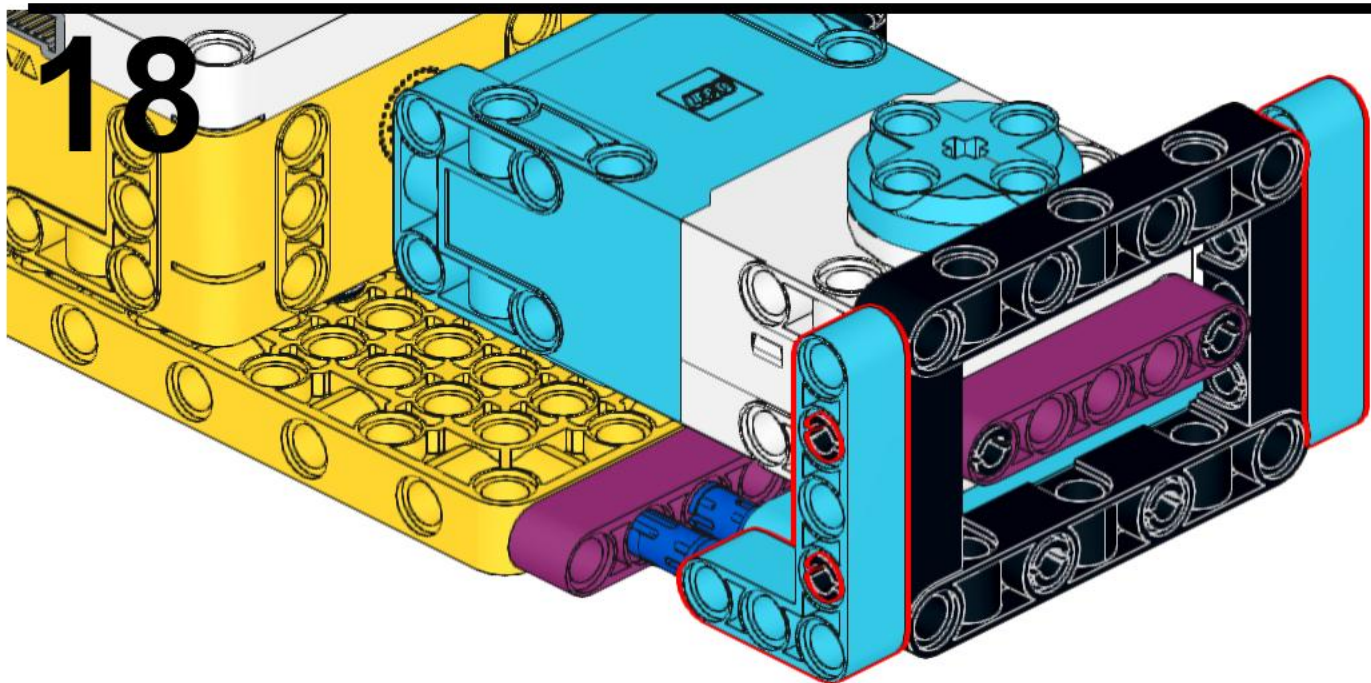
15



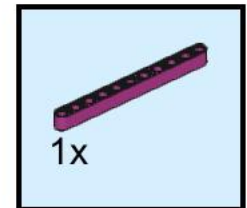
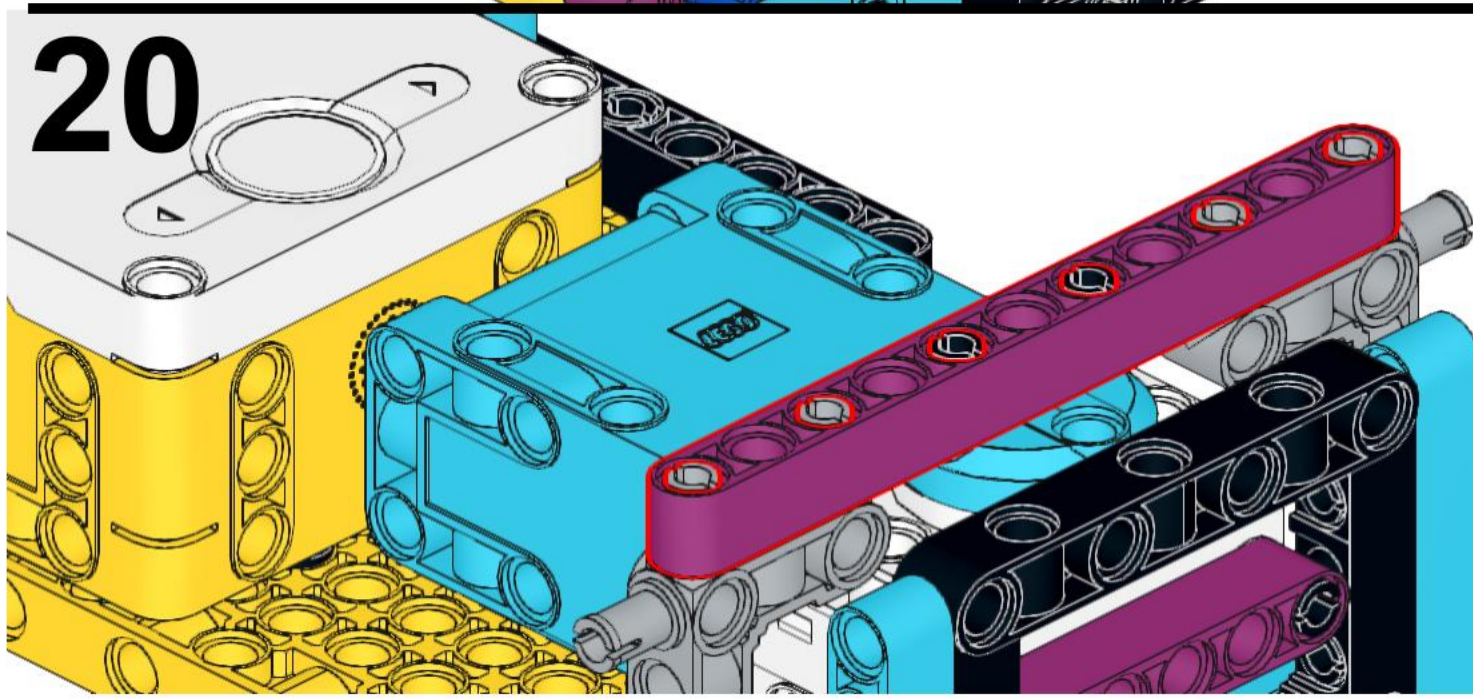
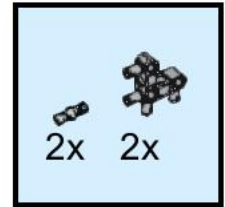
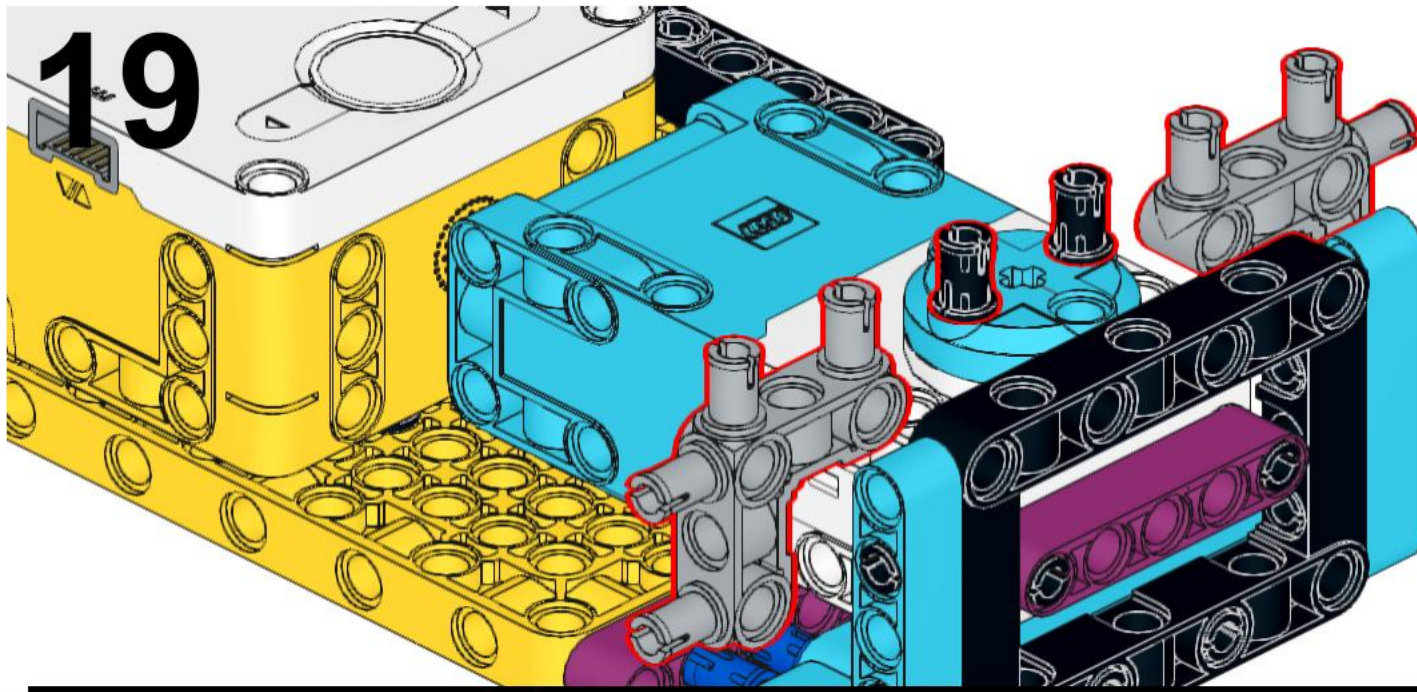


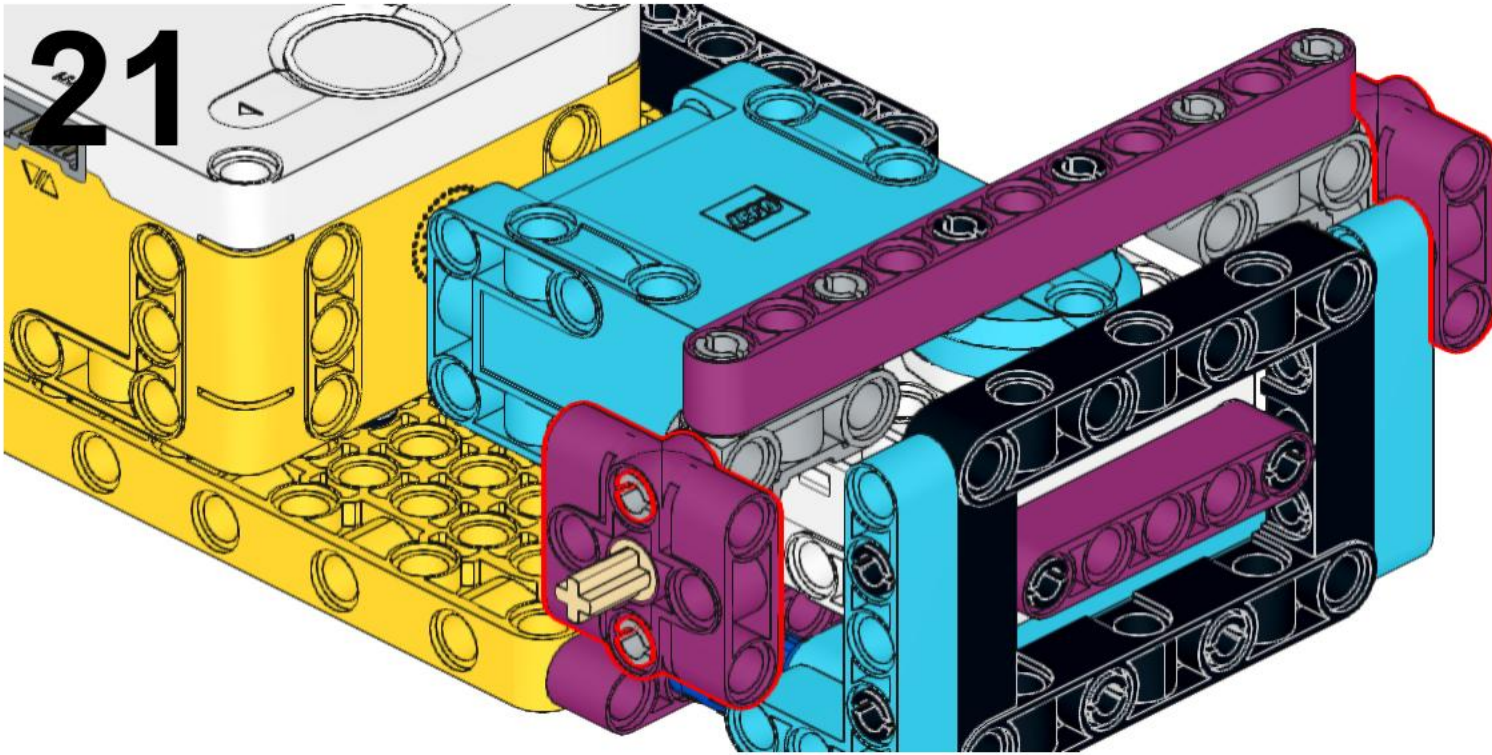


4x

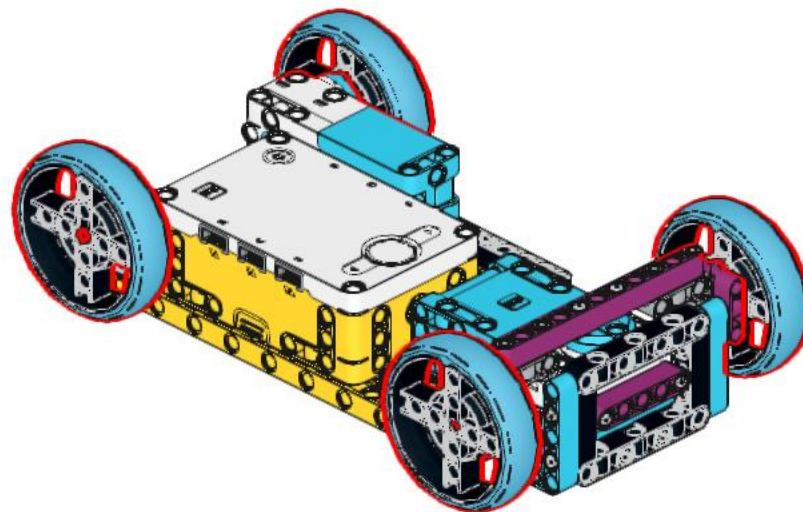


2x

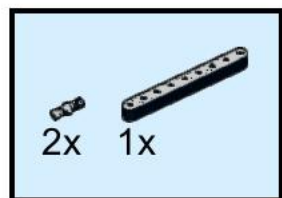
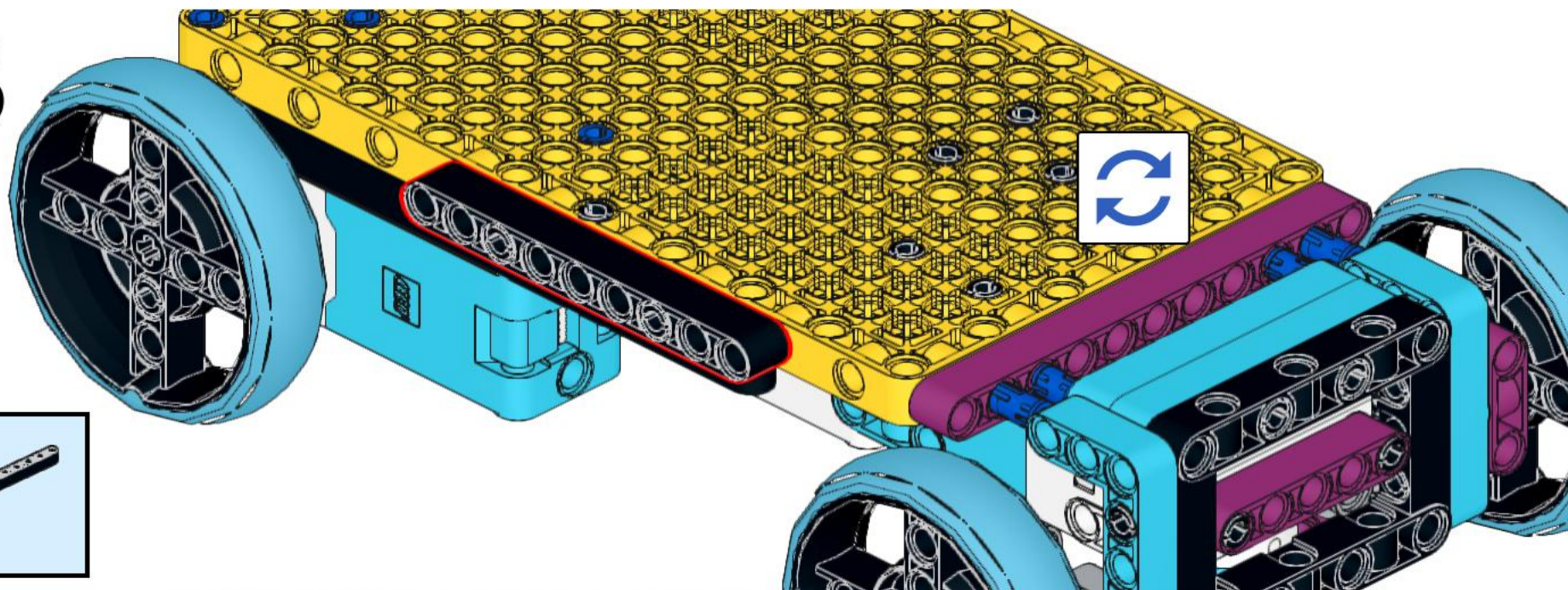




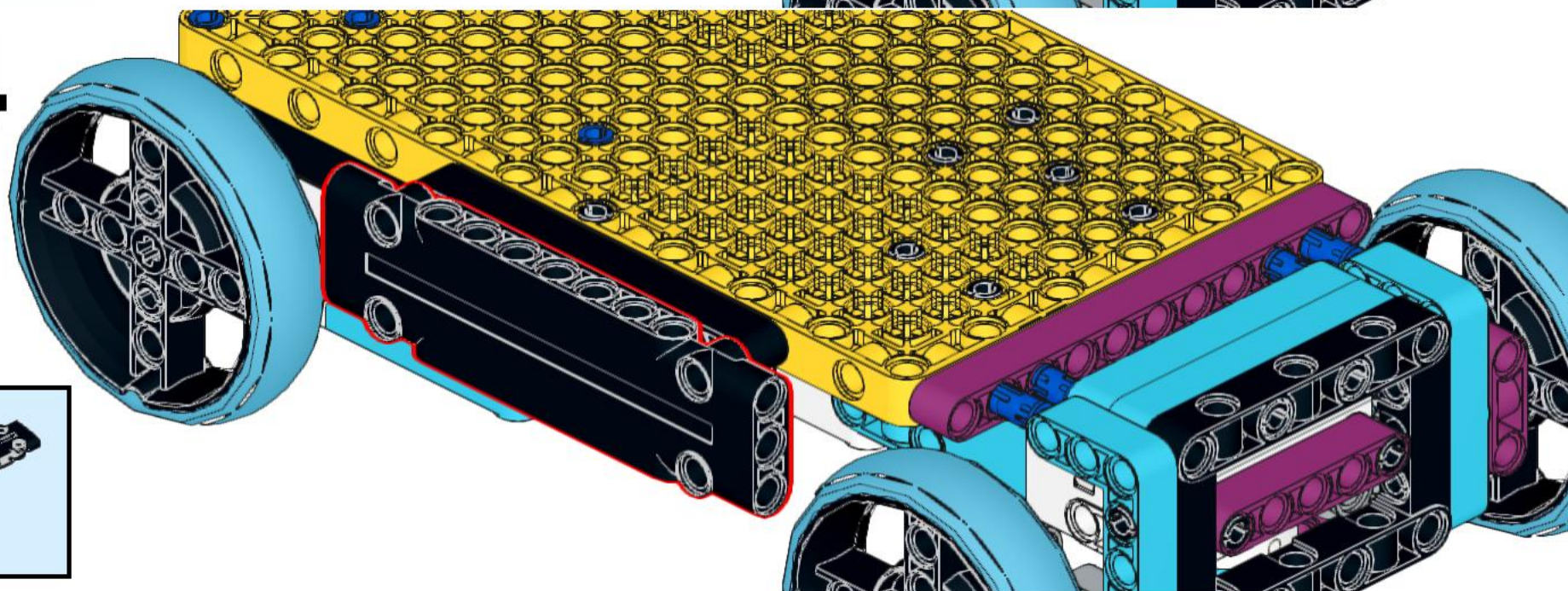
22



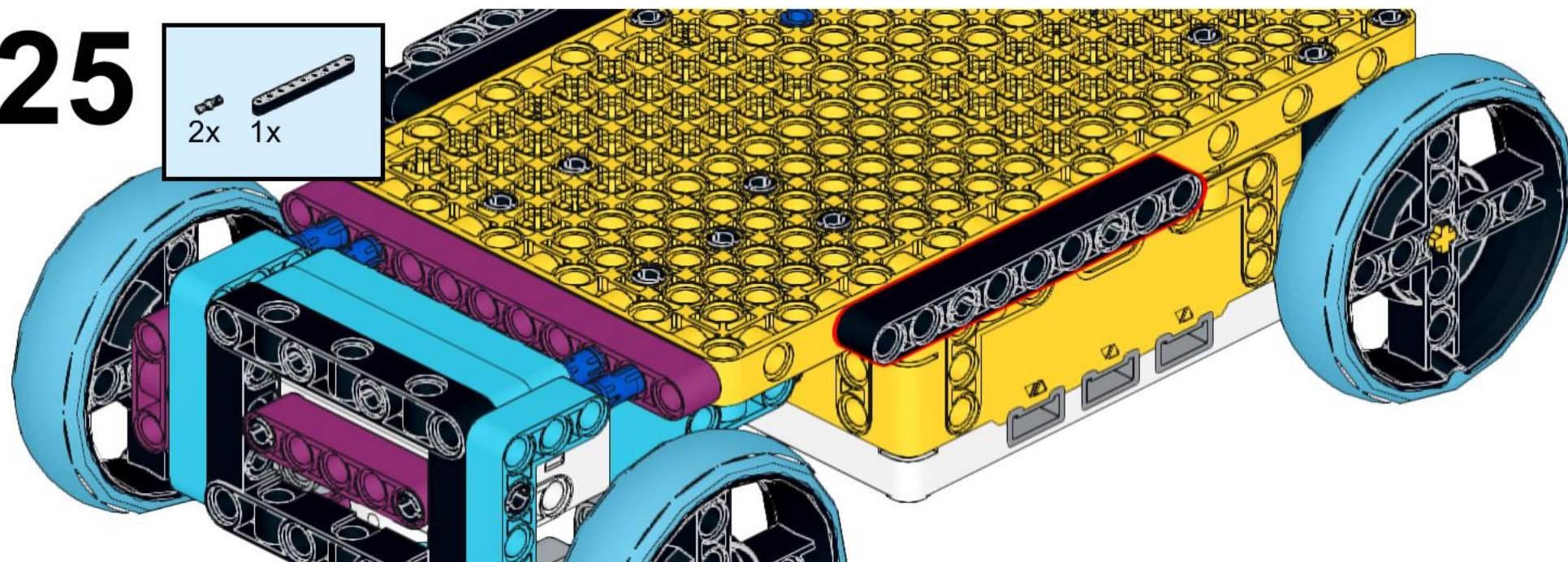
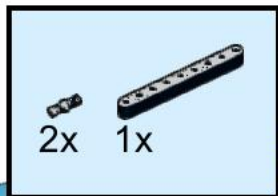
23



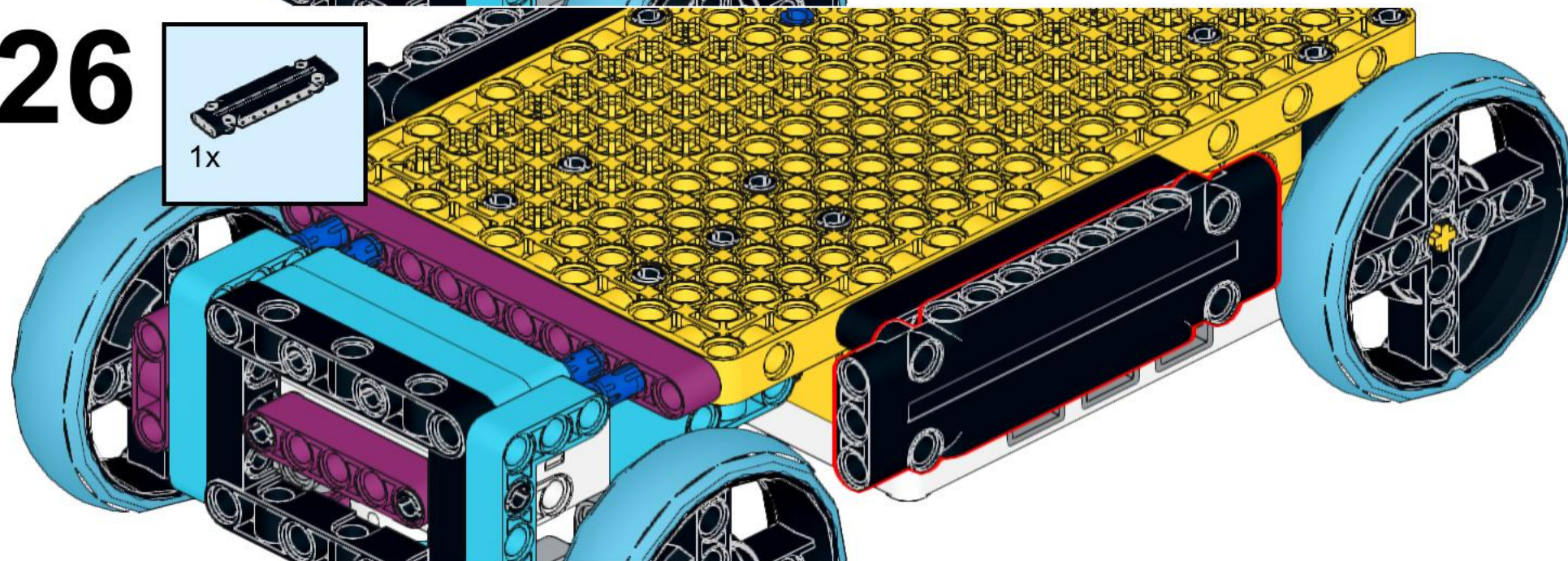
24



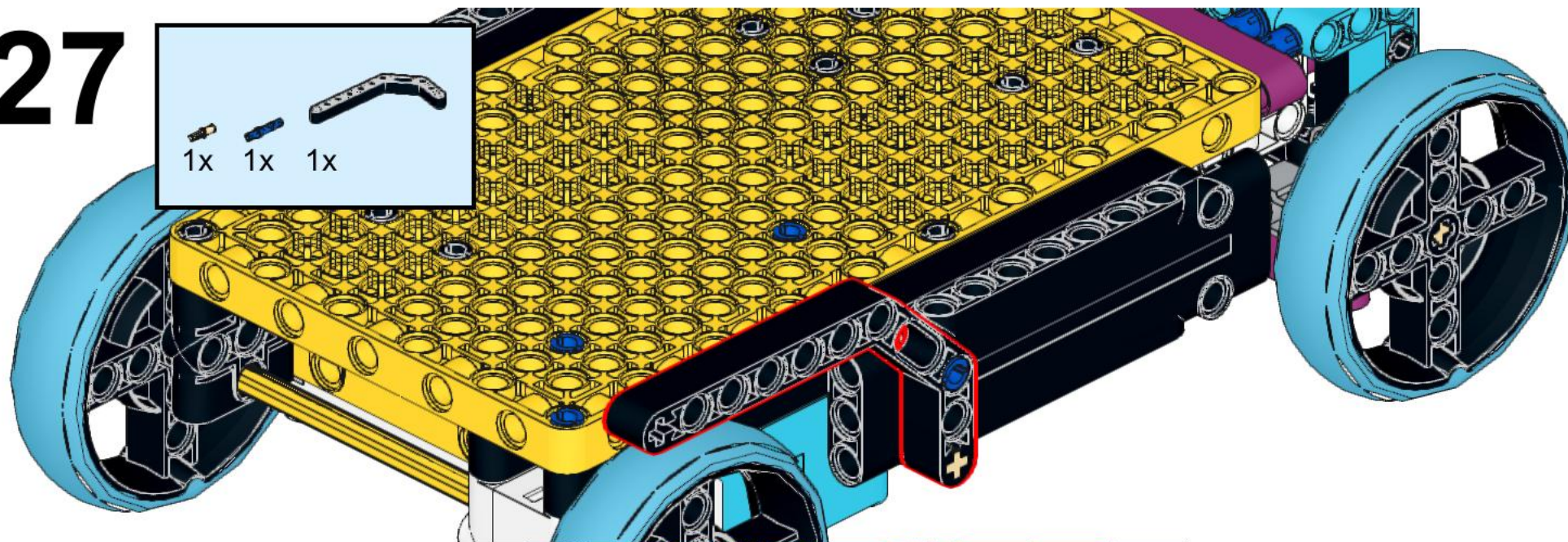
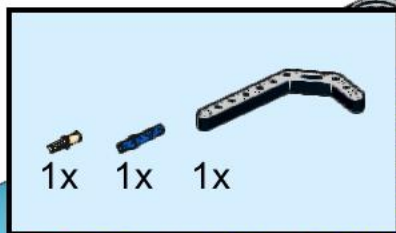
25



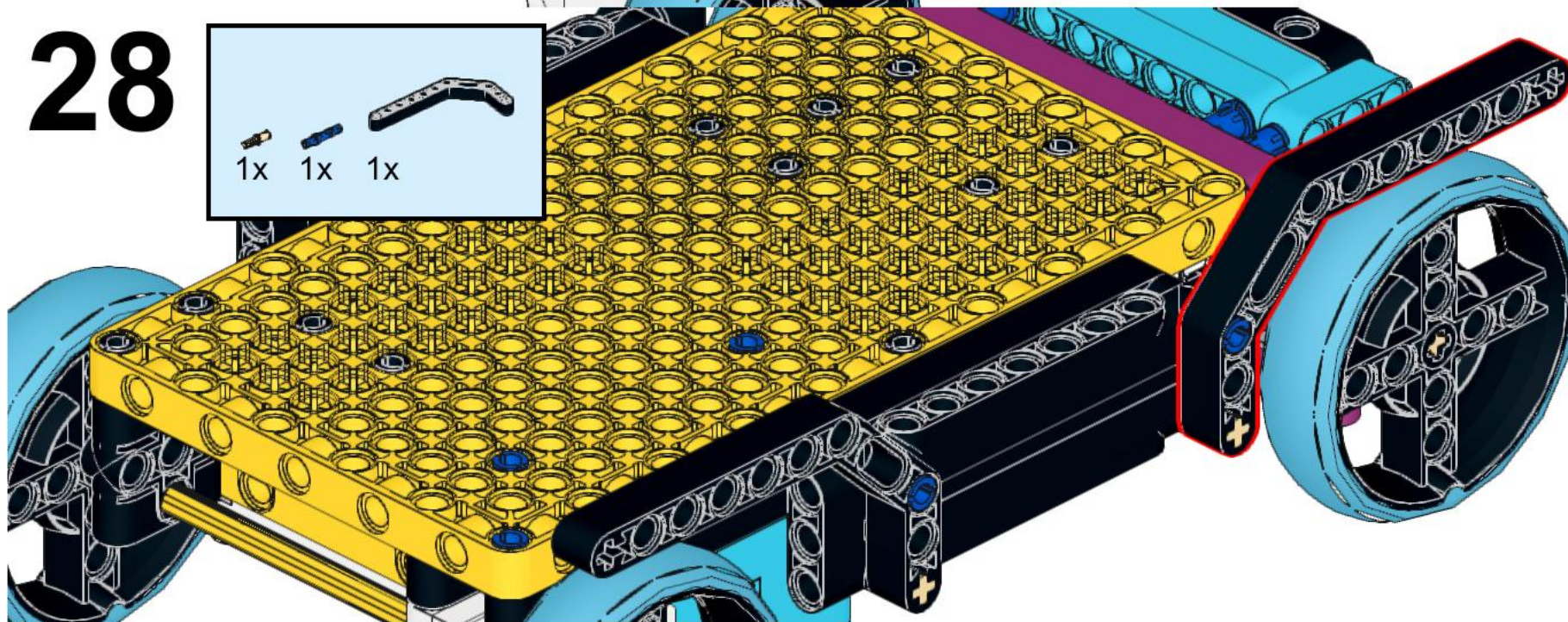
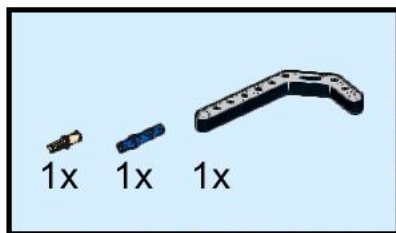
26



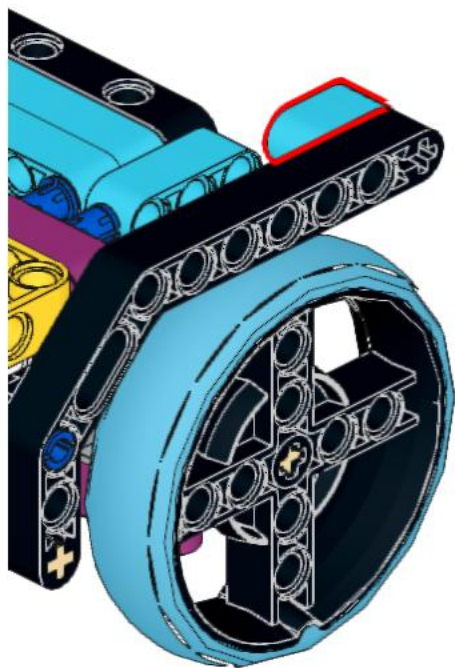
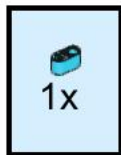
27



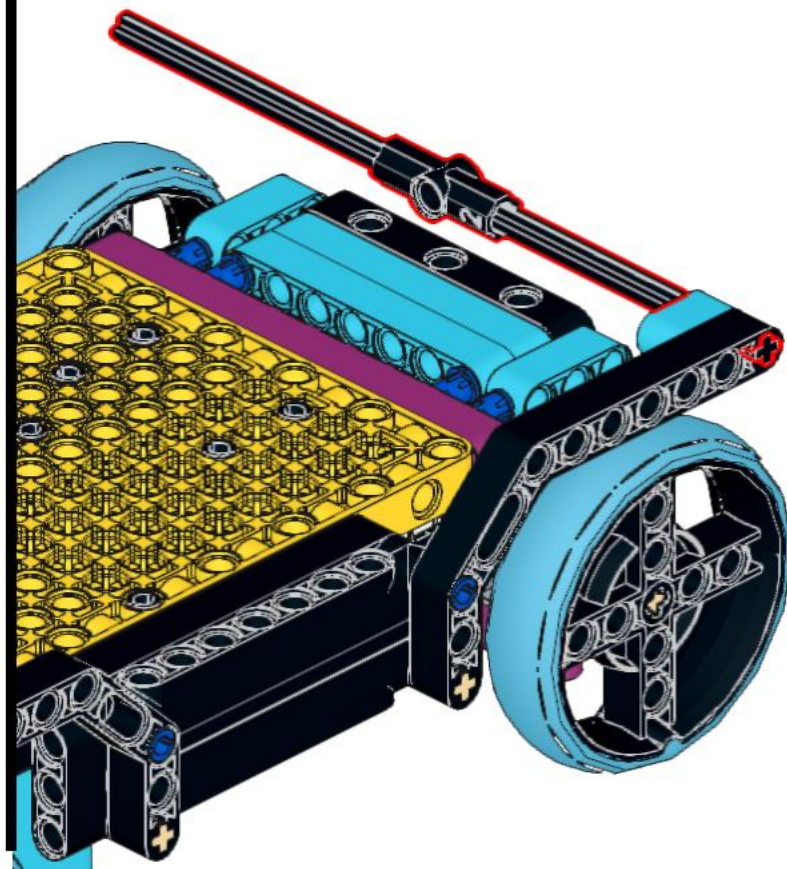
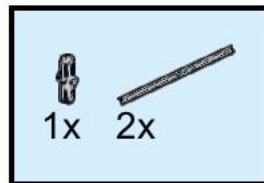
28



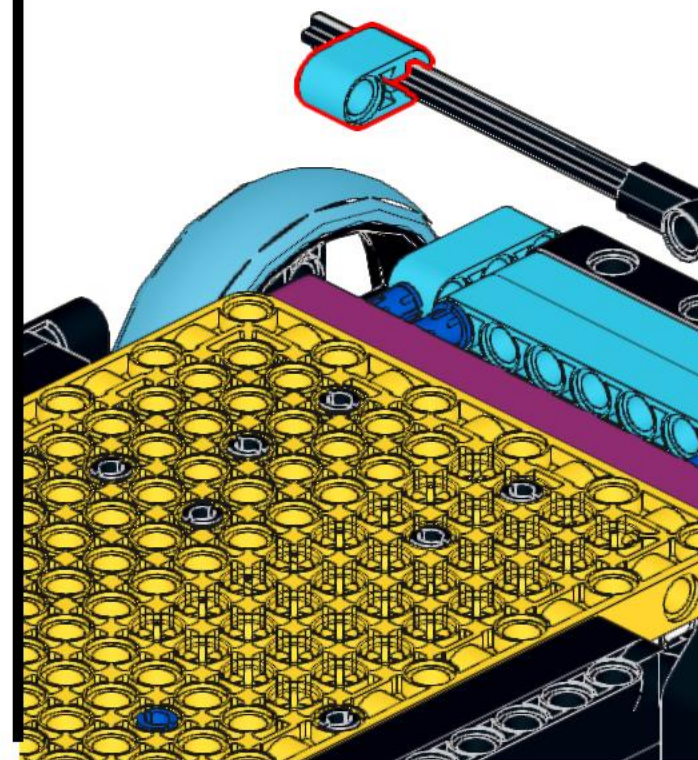
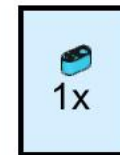
29



30

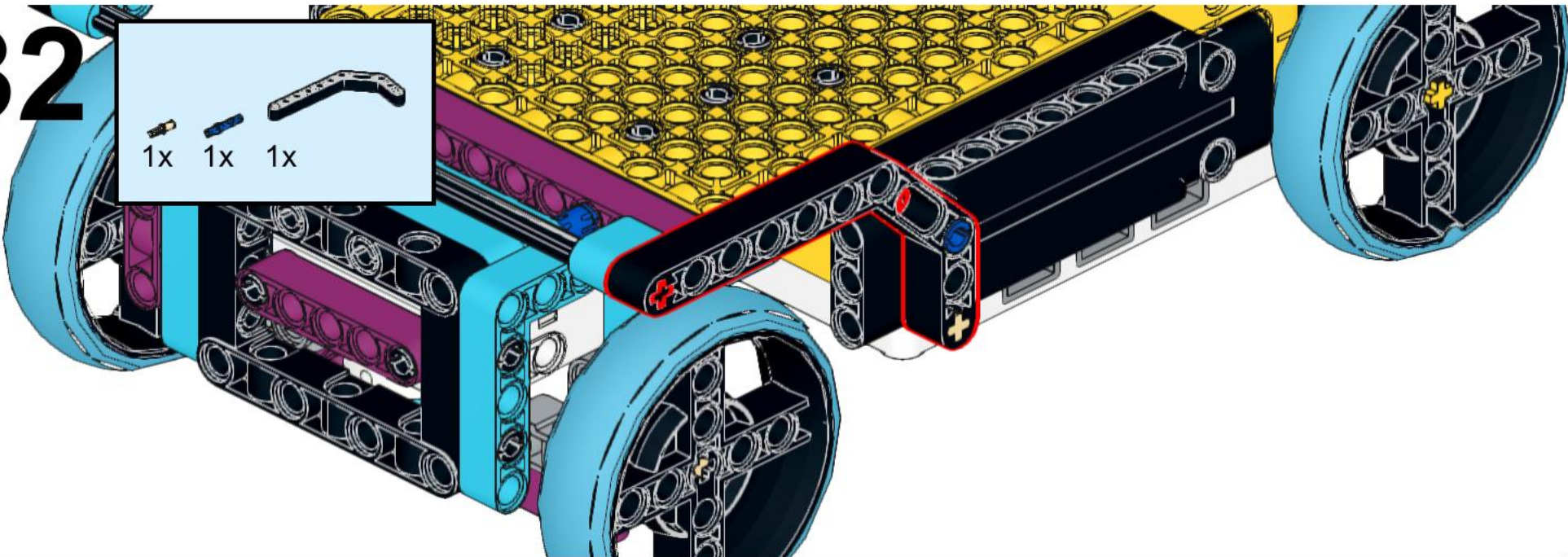
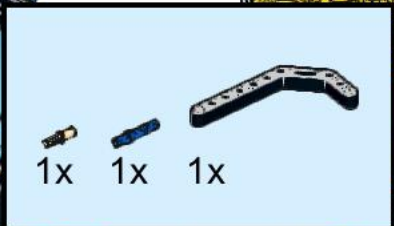


31



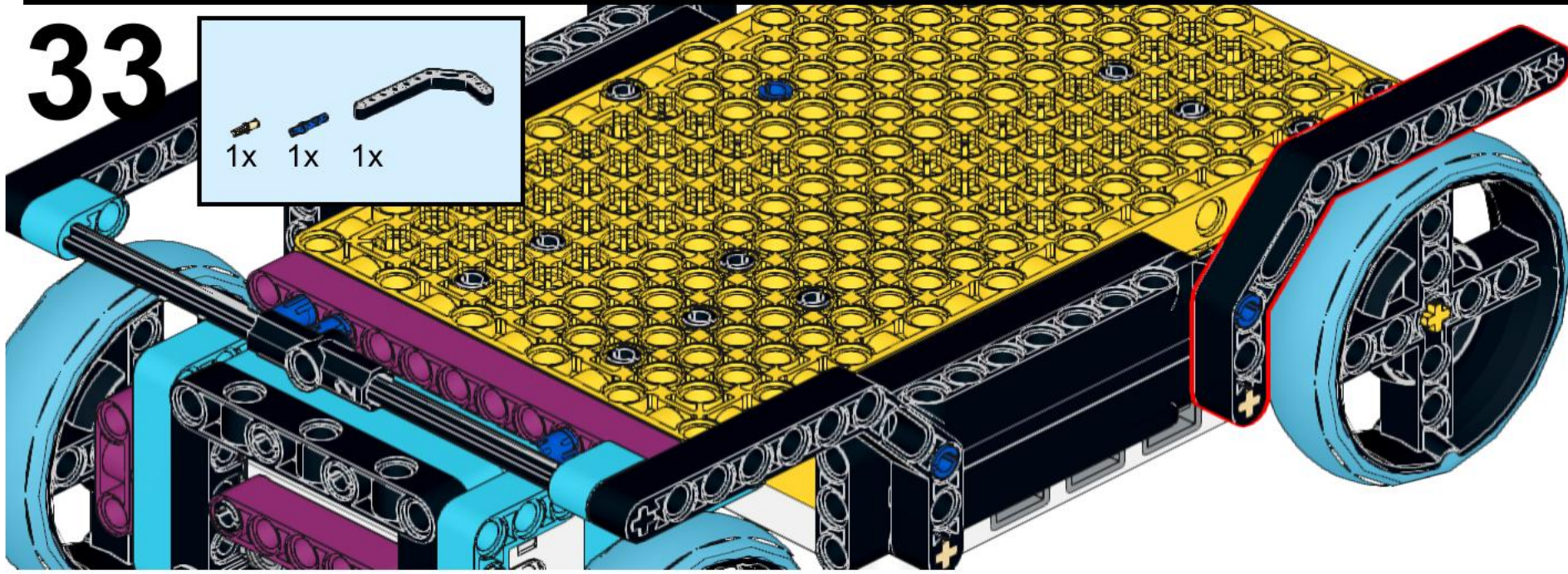
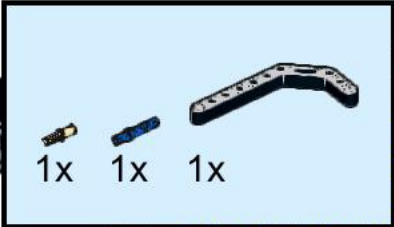
32

1x 1x 1x





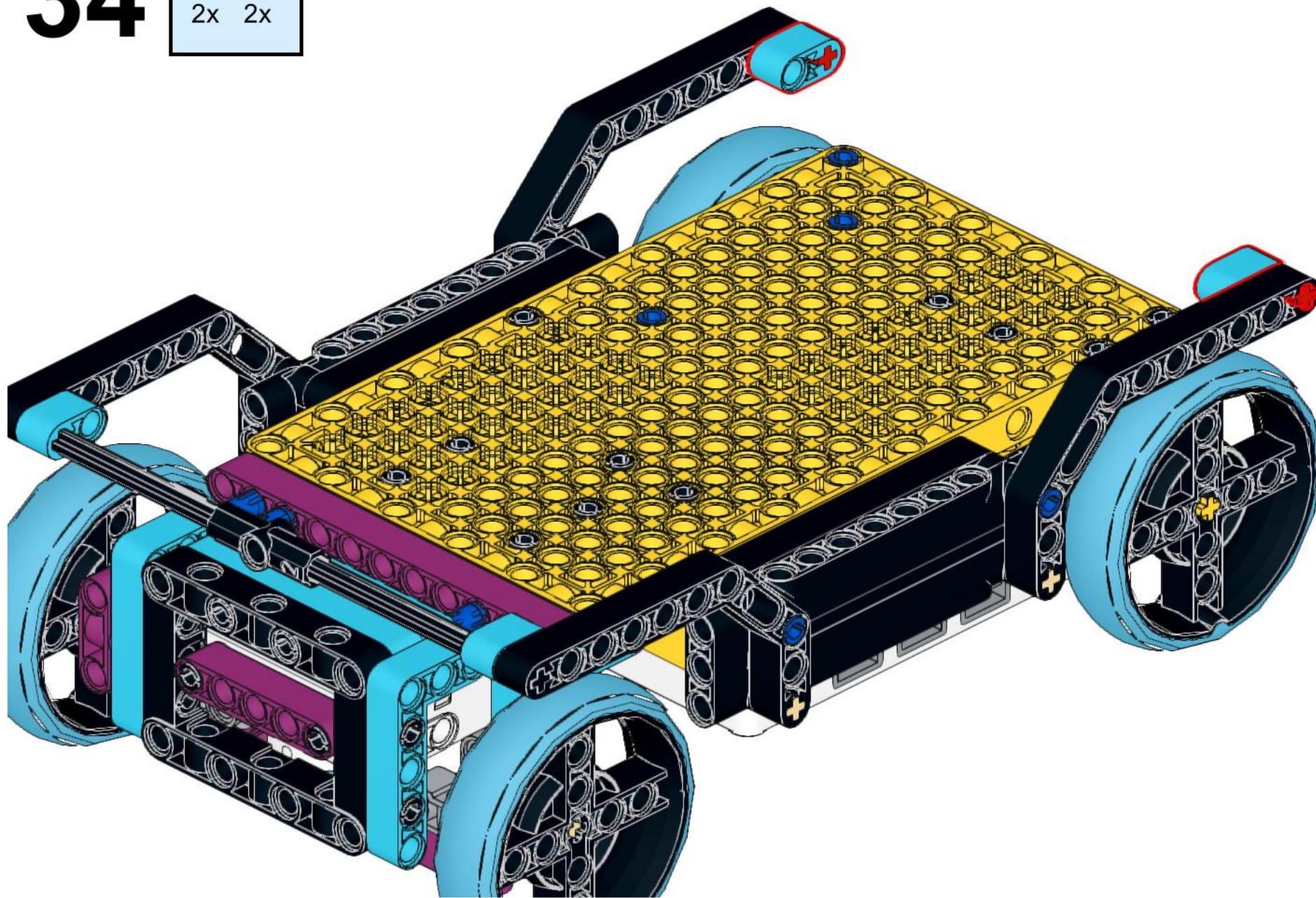
33

1x 1x 1x

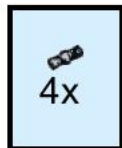
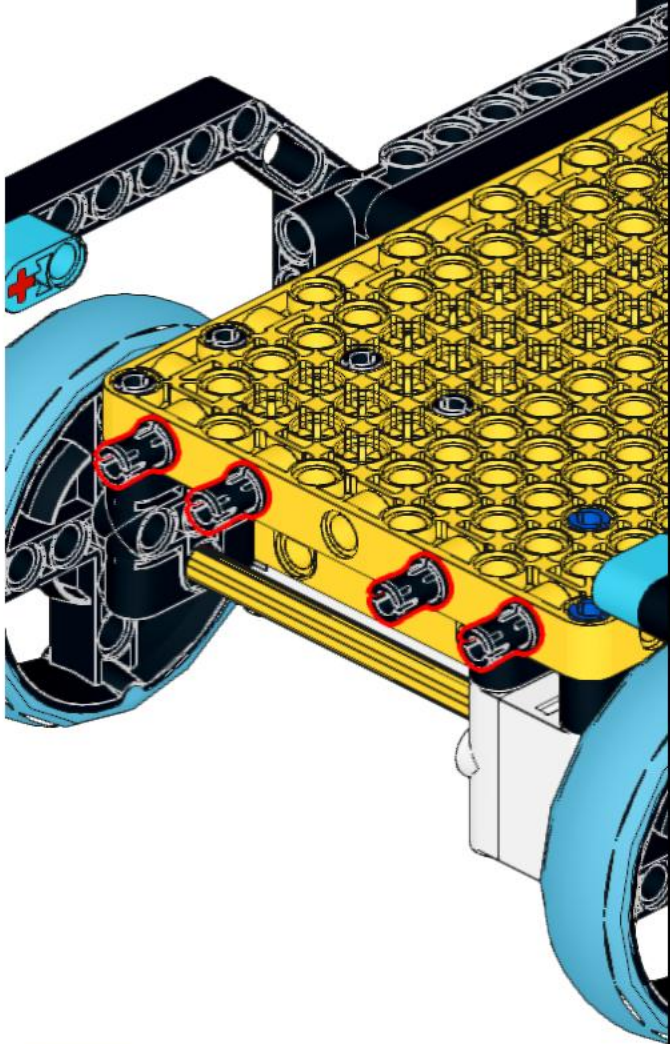


34

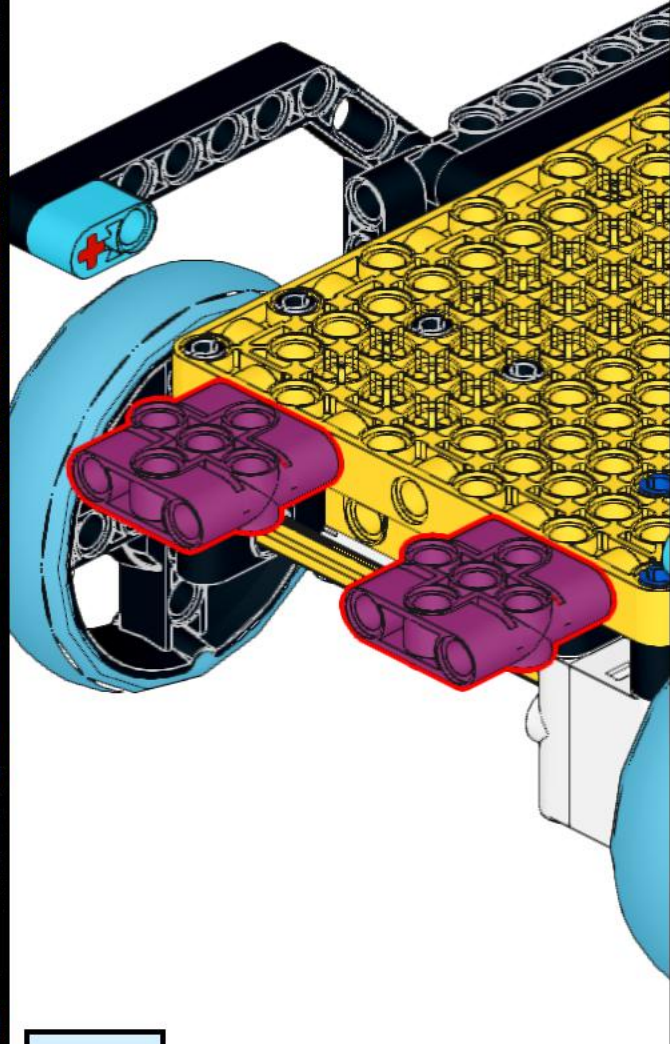
	
2x	2x



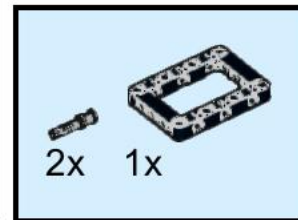
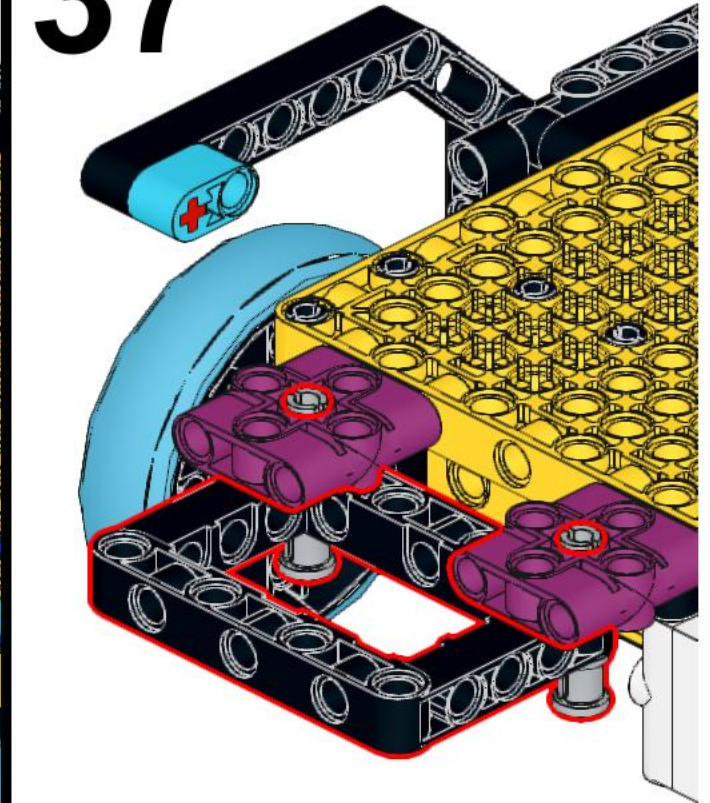
35



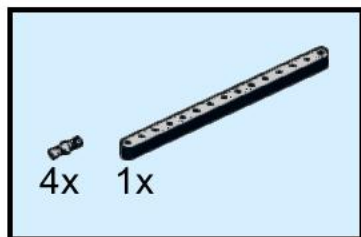
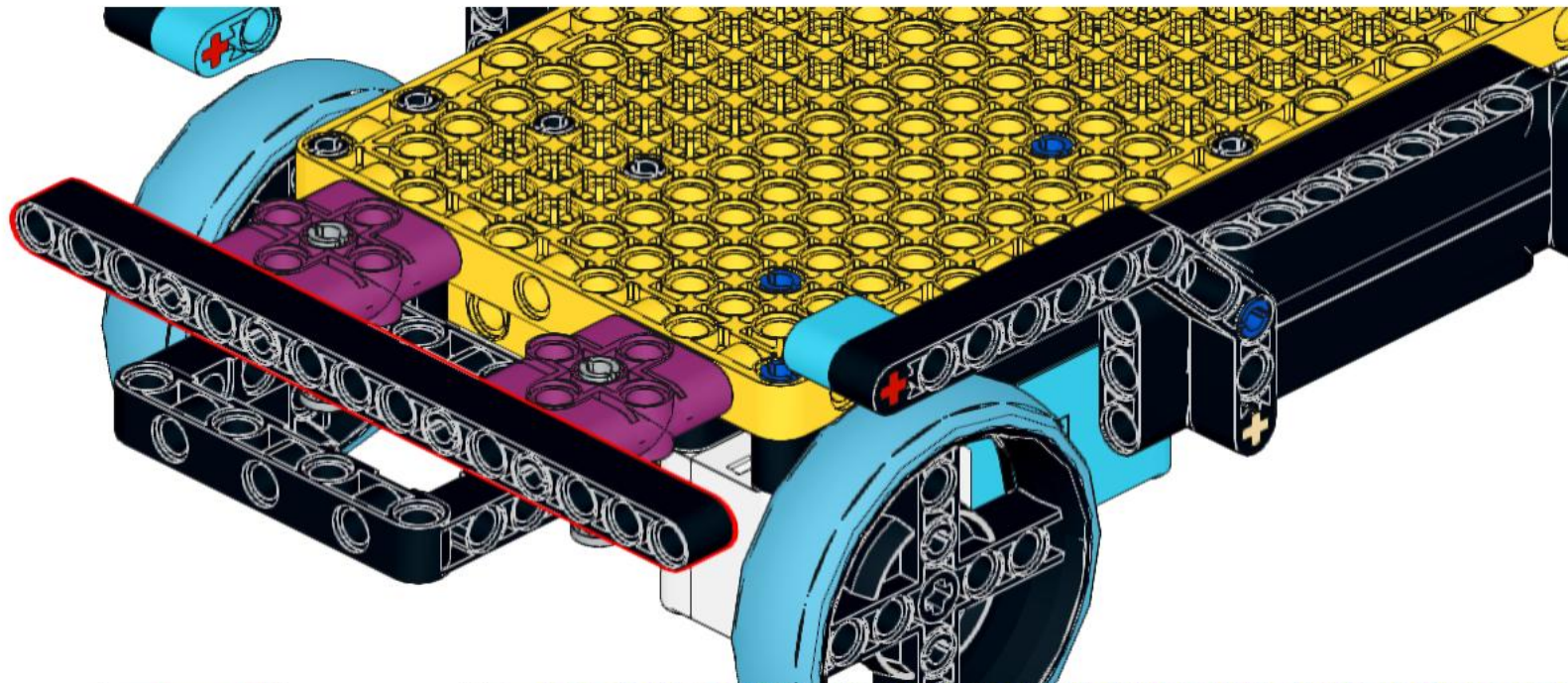
36



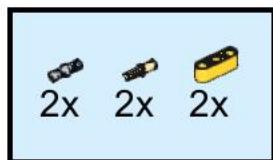
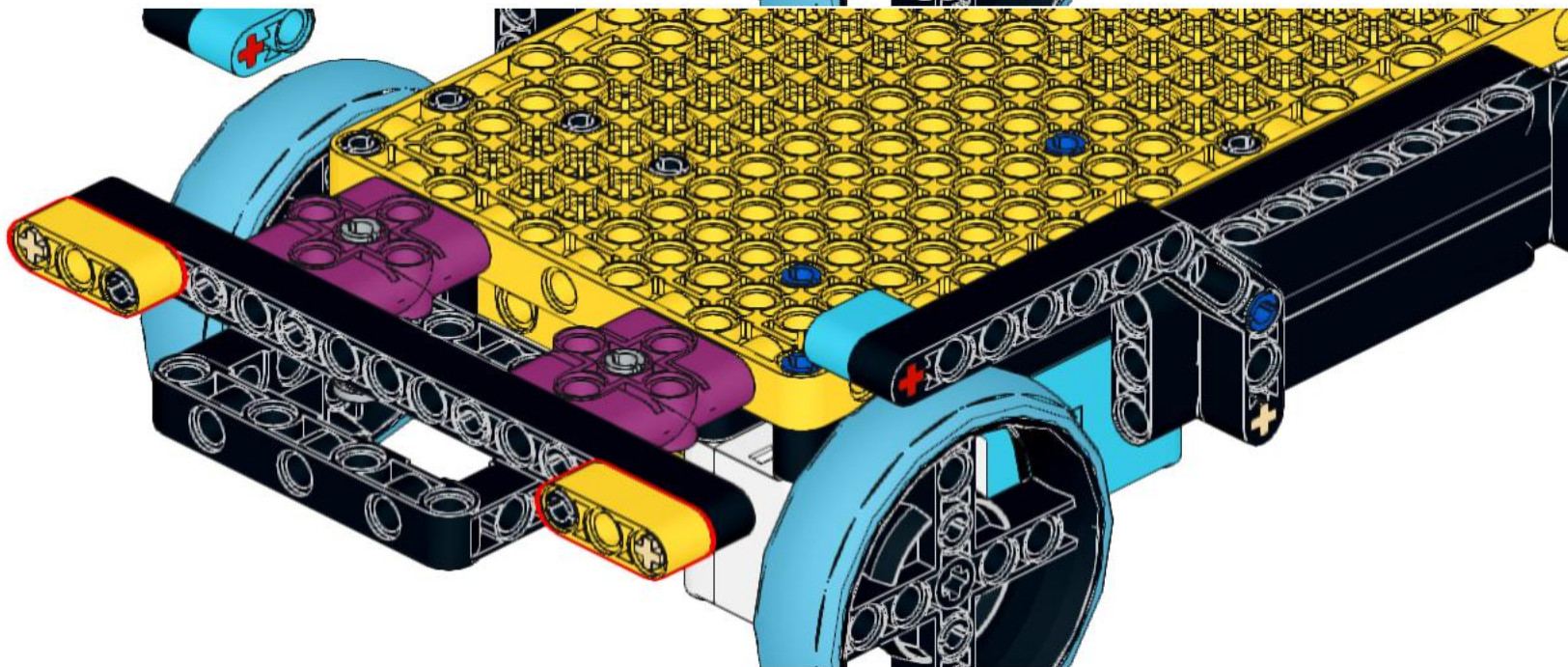
37



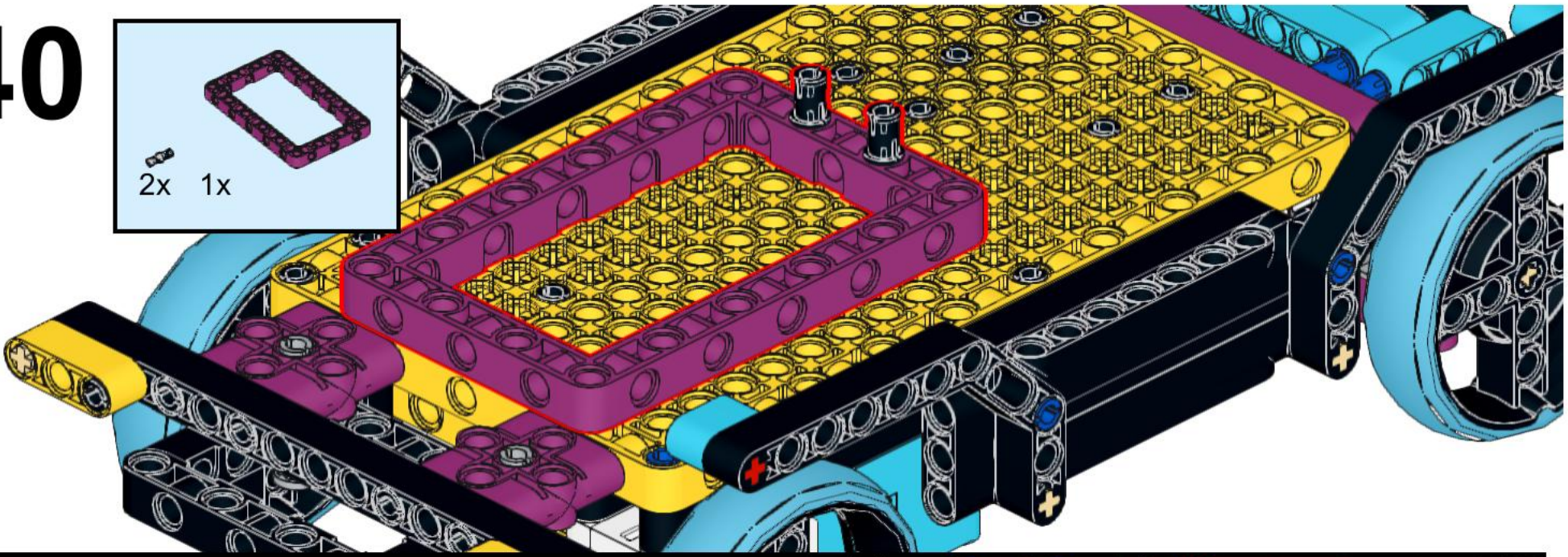
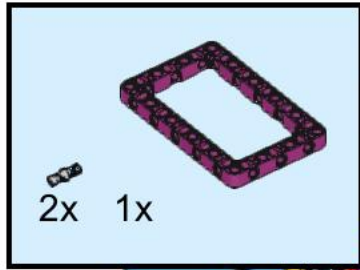
38



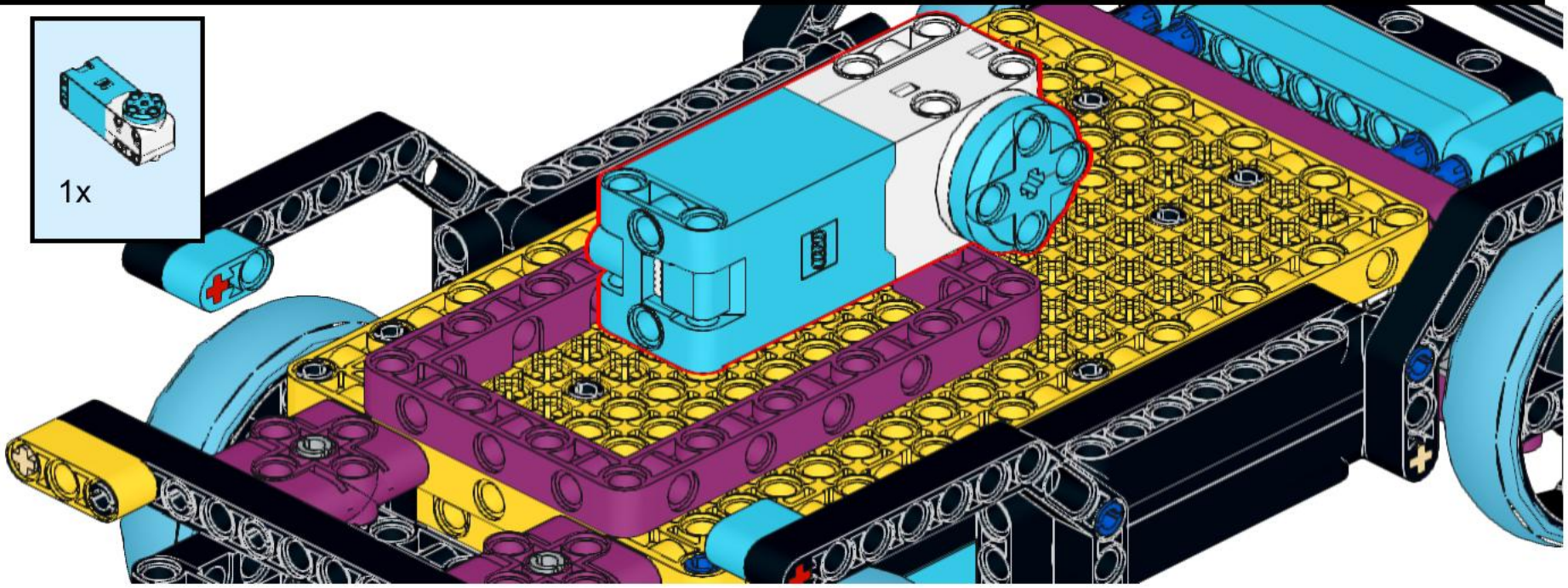
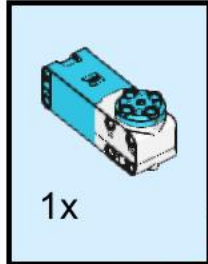
39



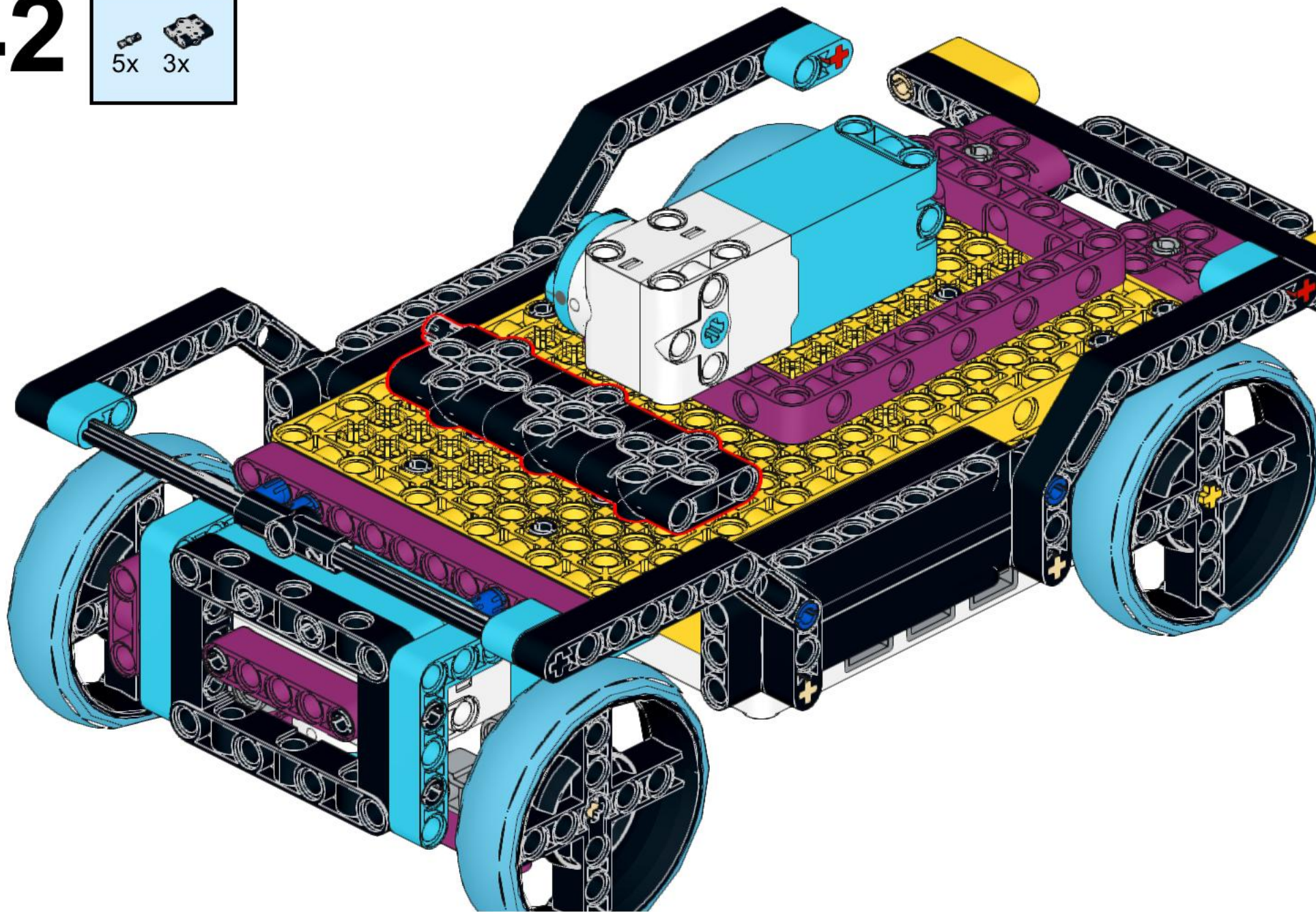
40



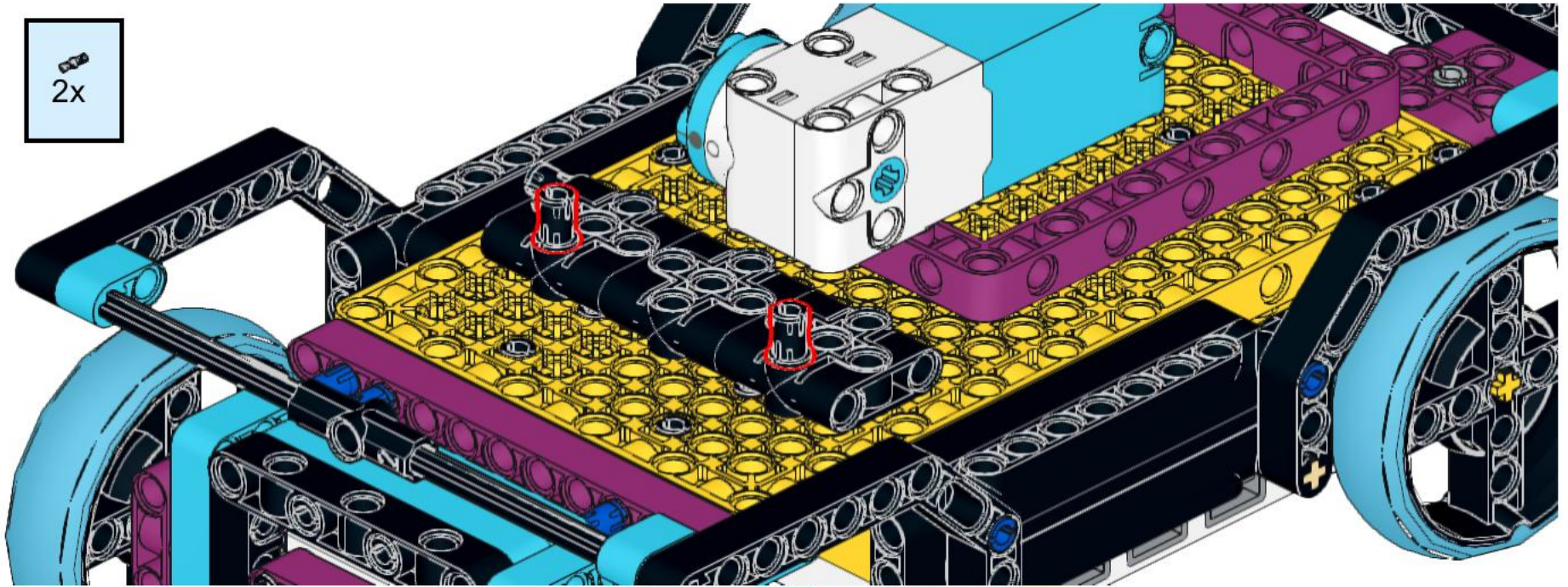
41



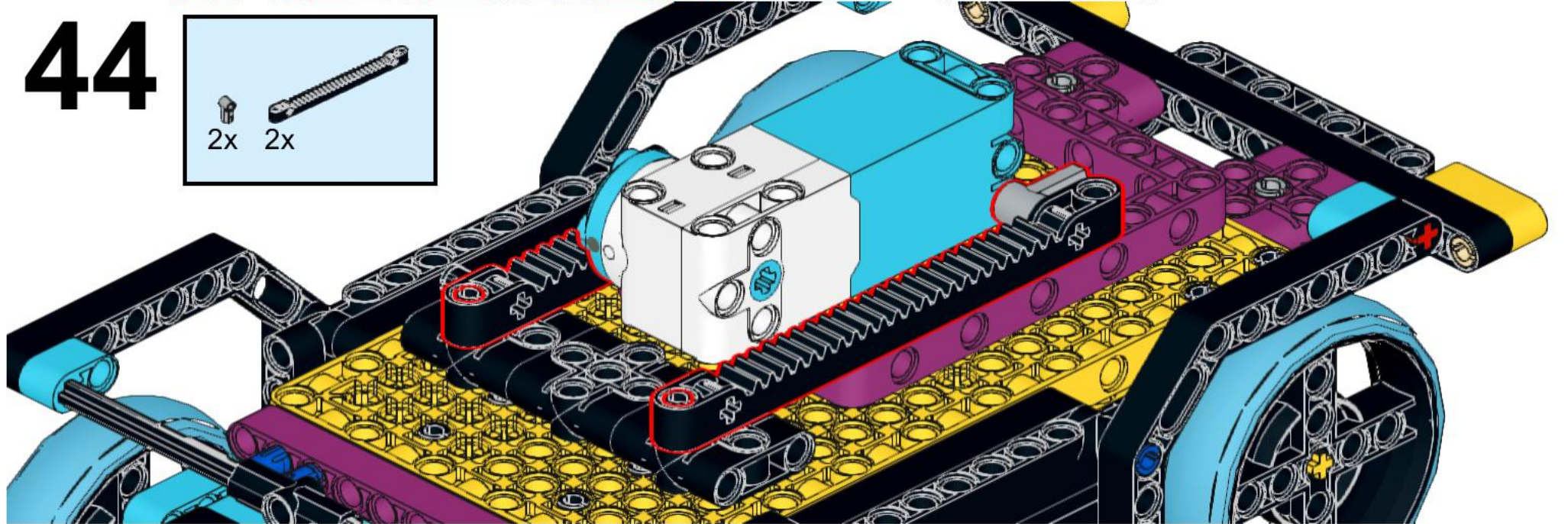
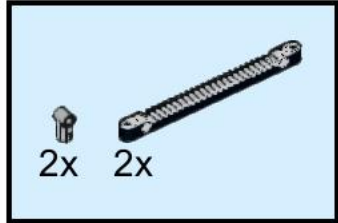
42



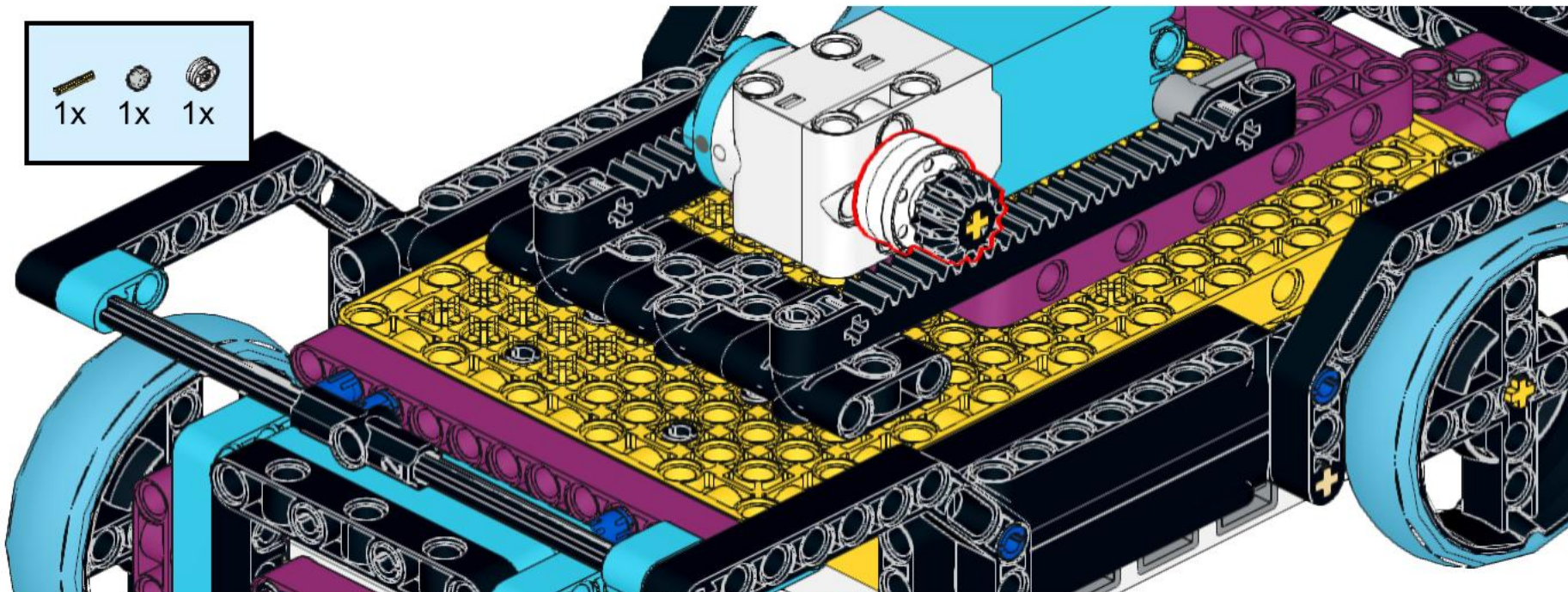
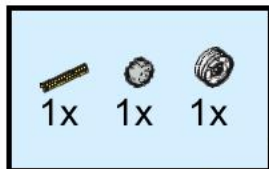
43



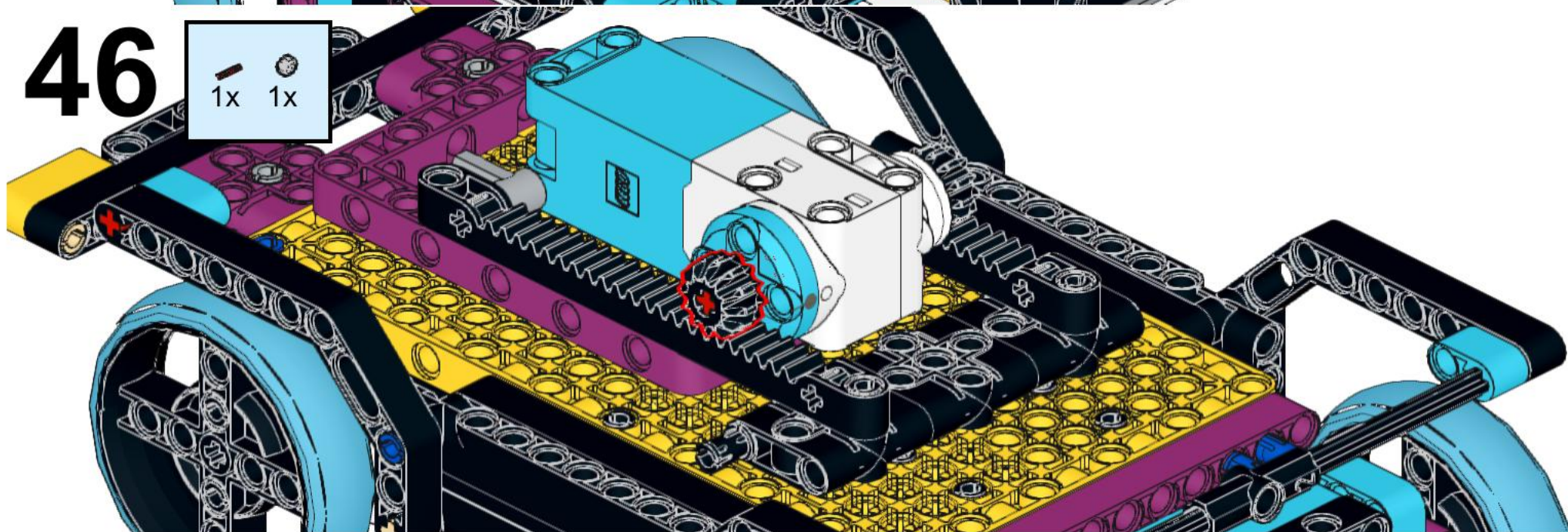
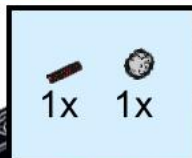
44



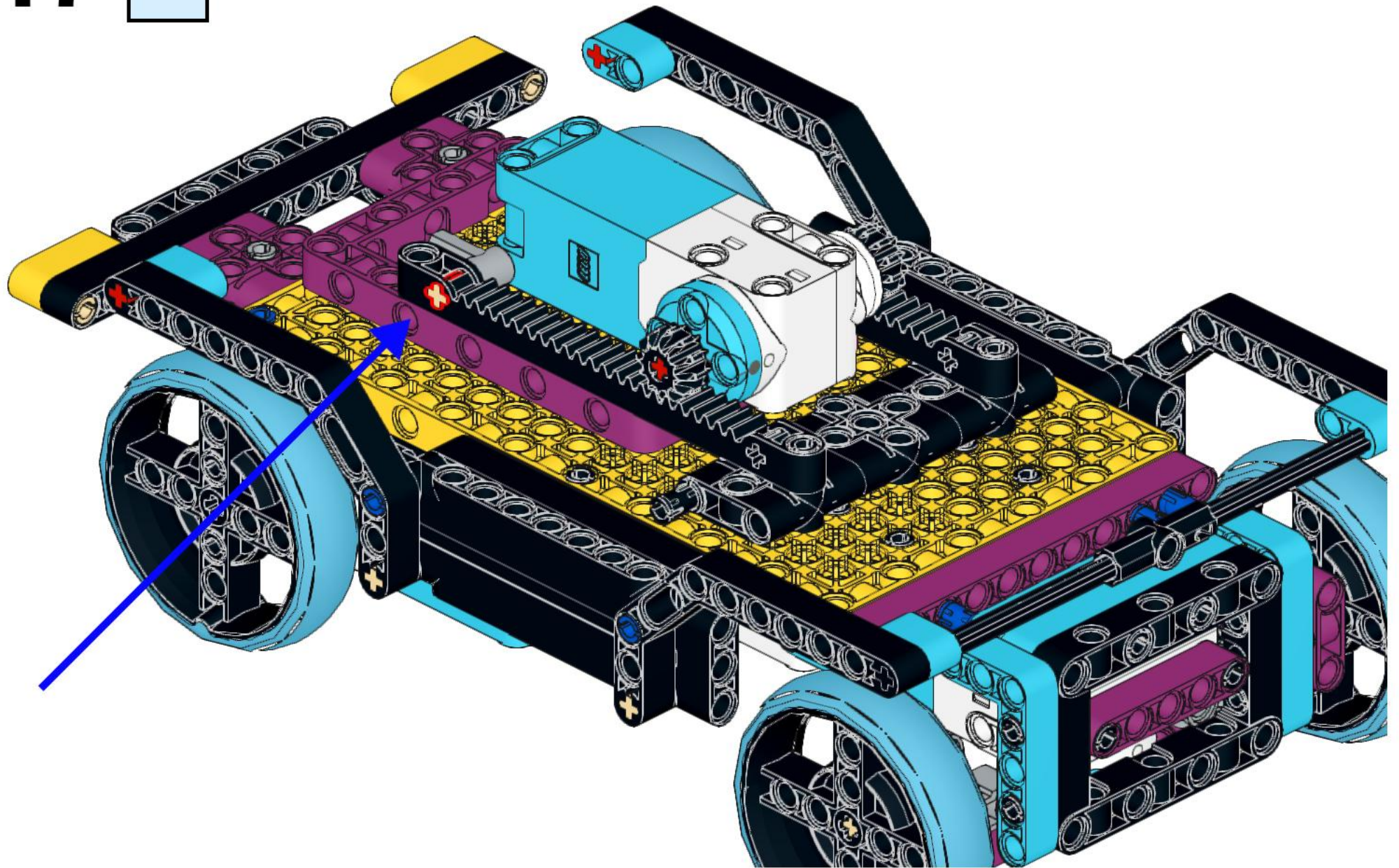
45





46

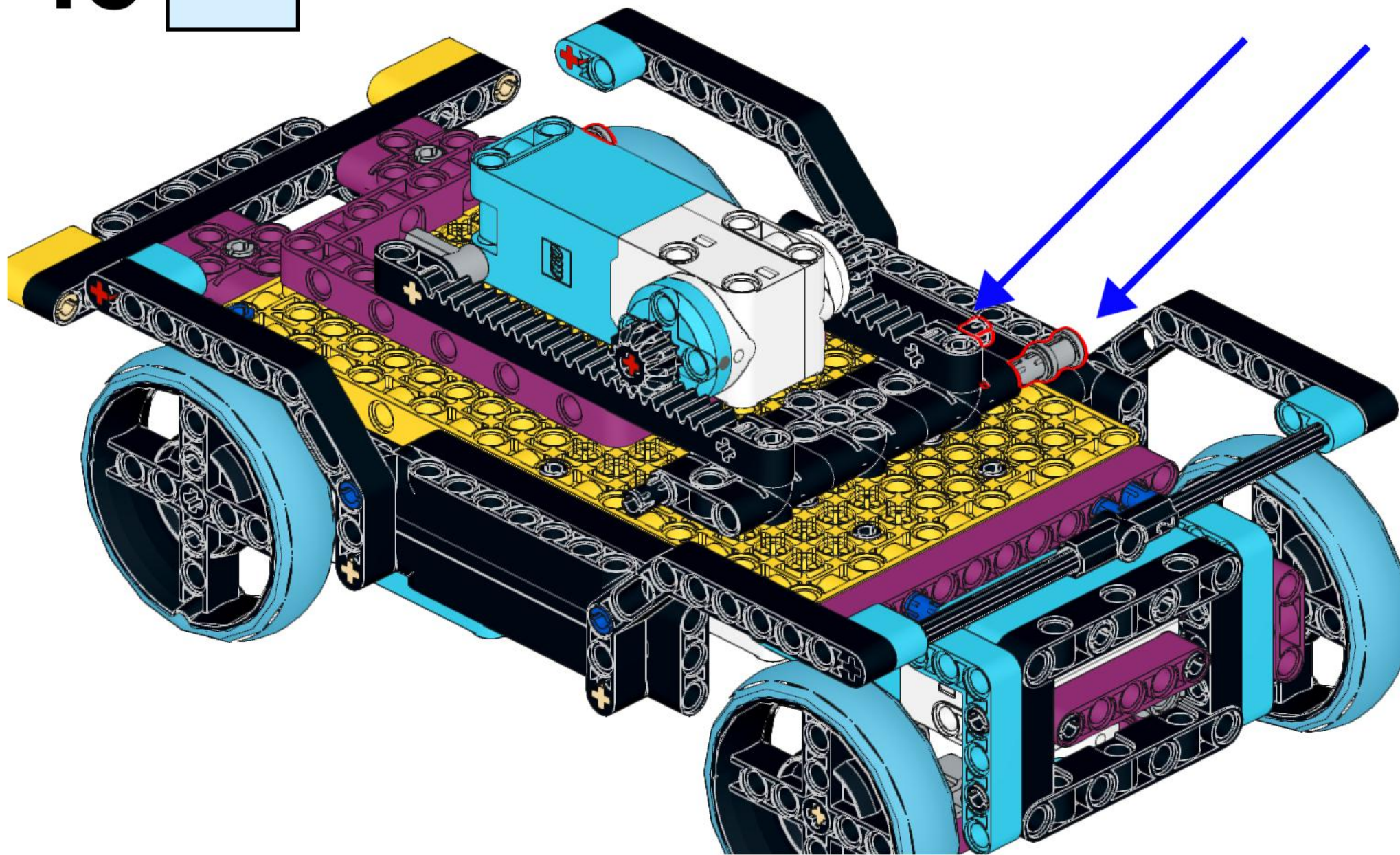


47

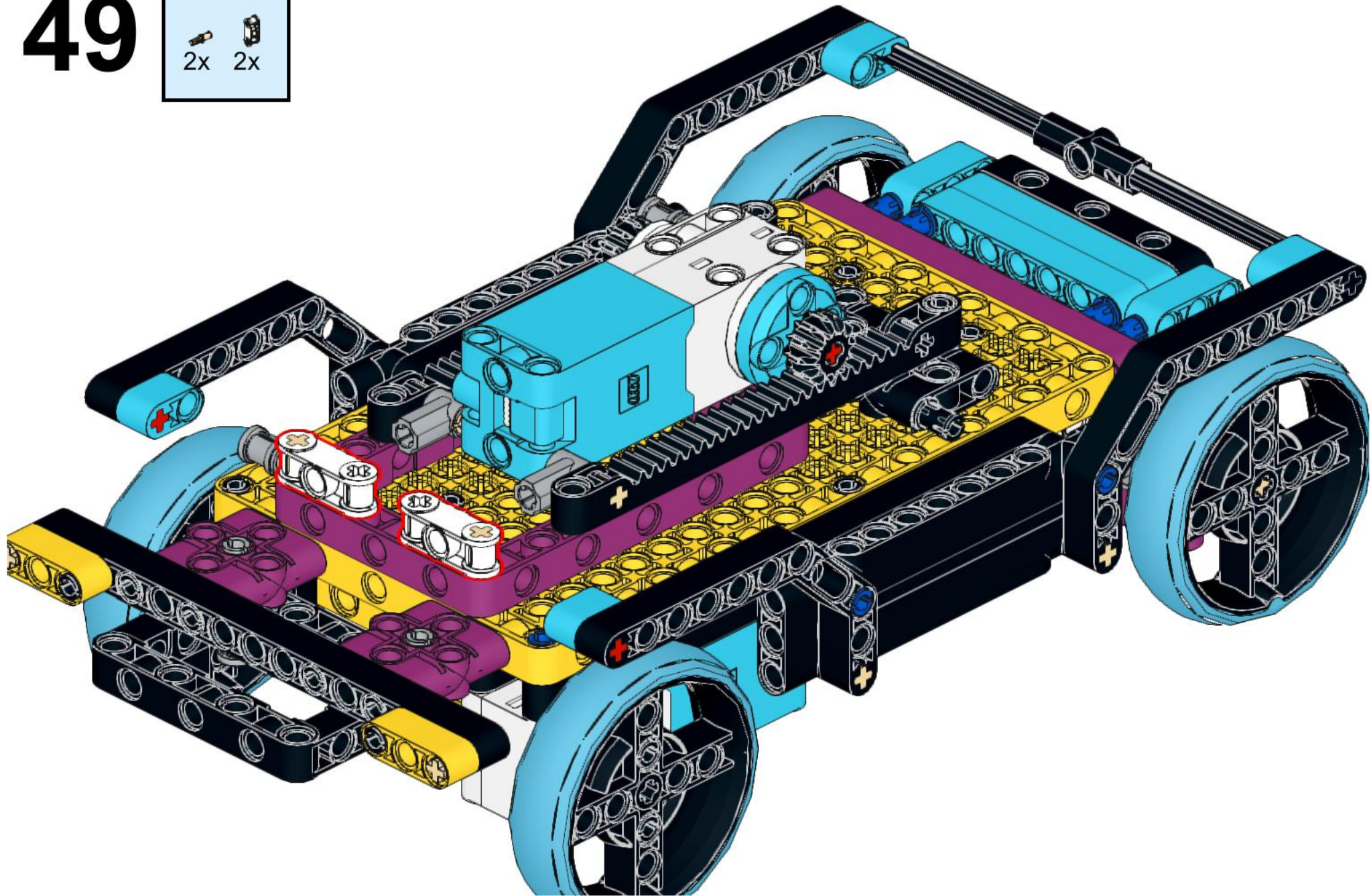


48

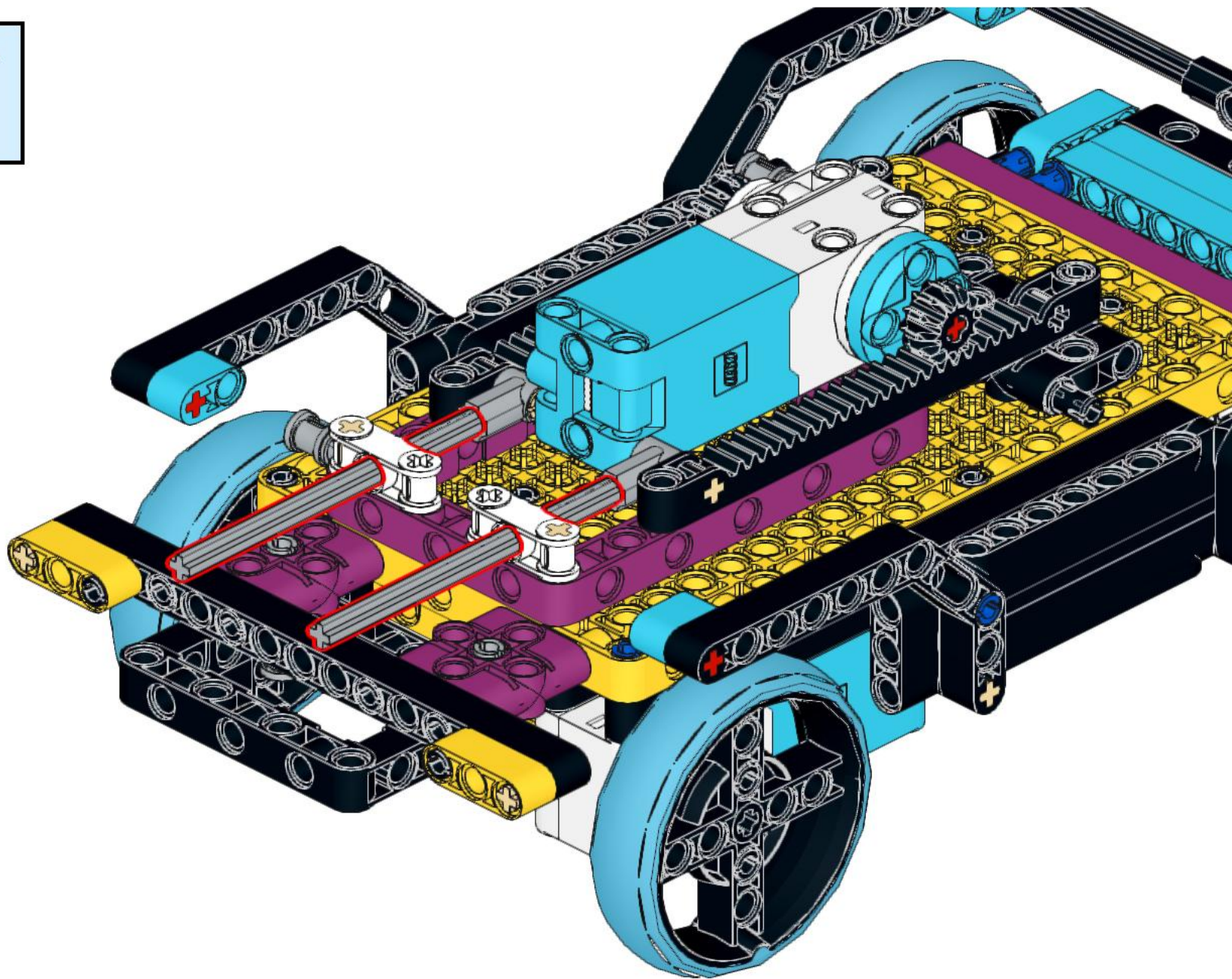
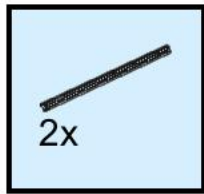
	
1x	2x



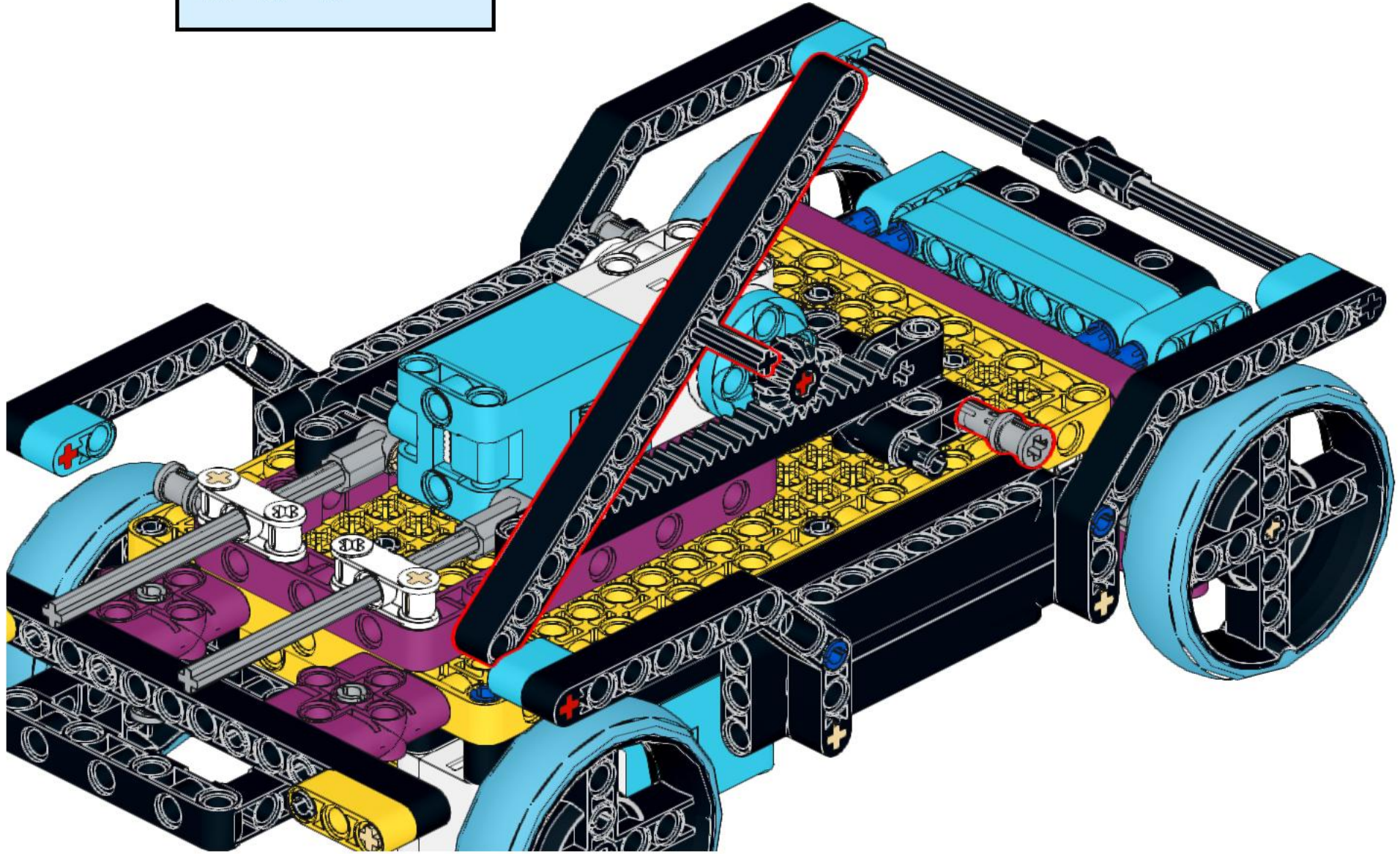
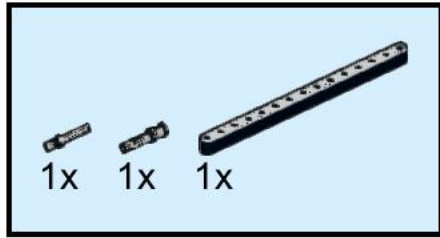
49



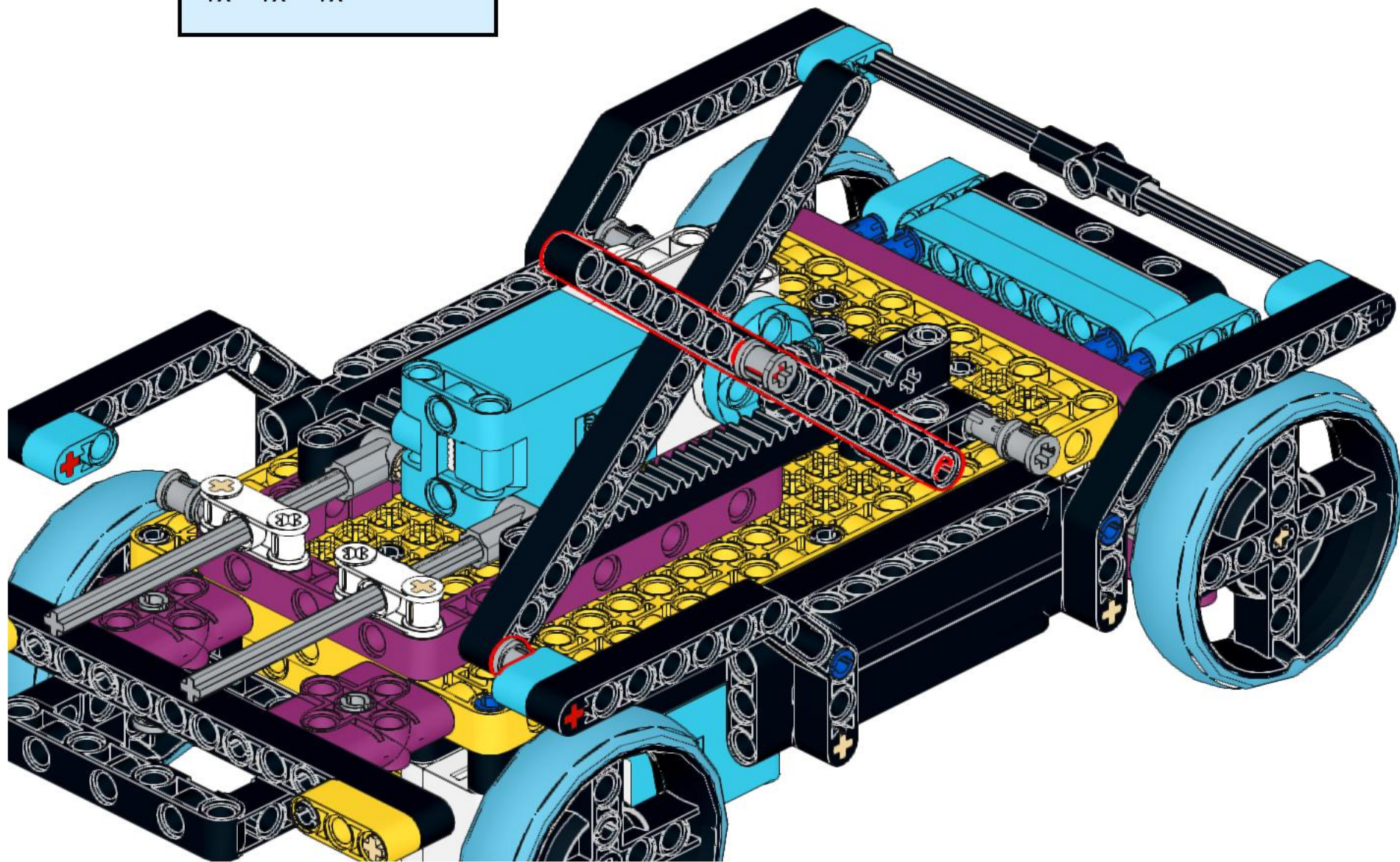
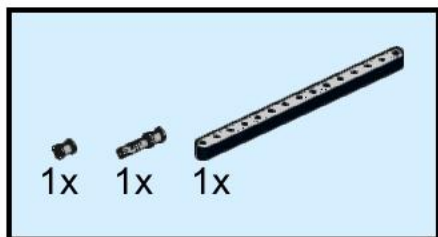
50



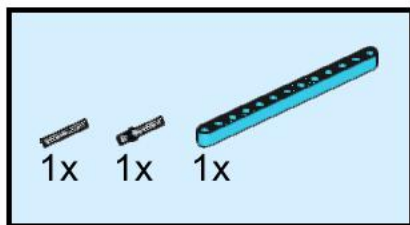
51



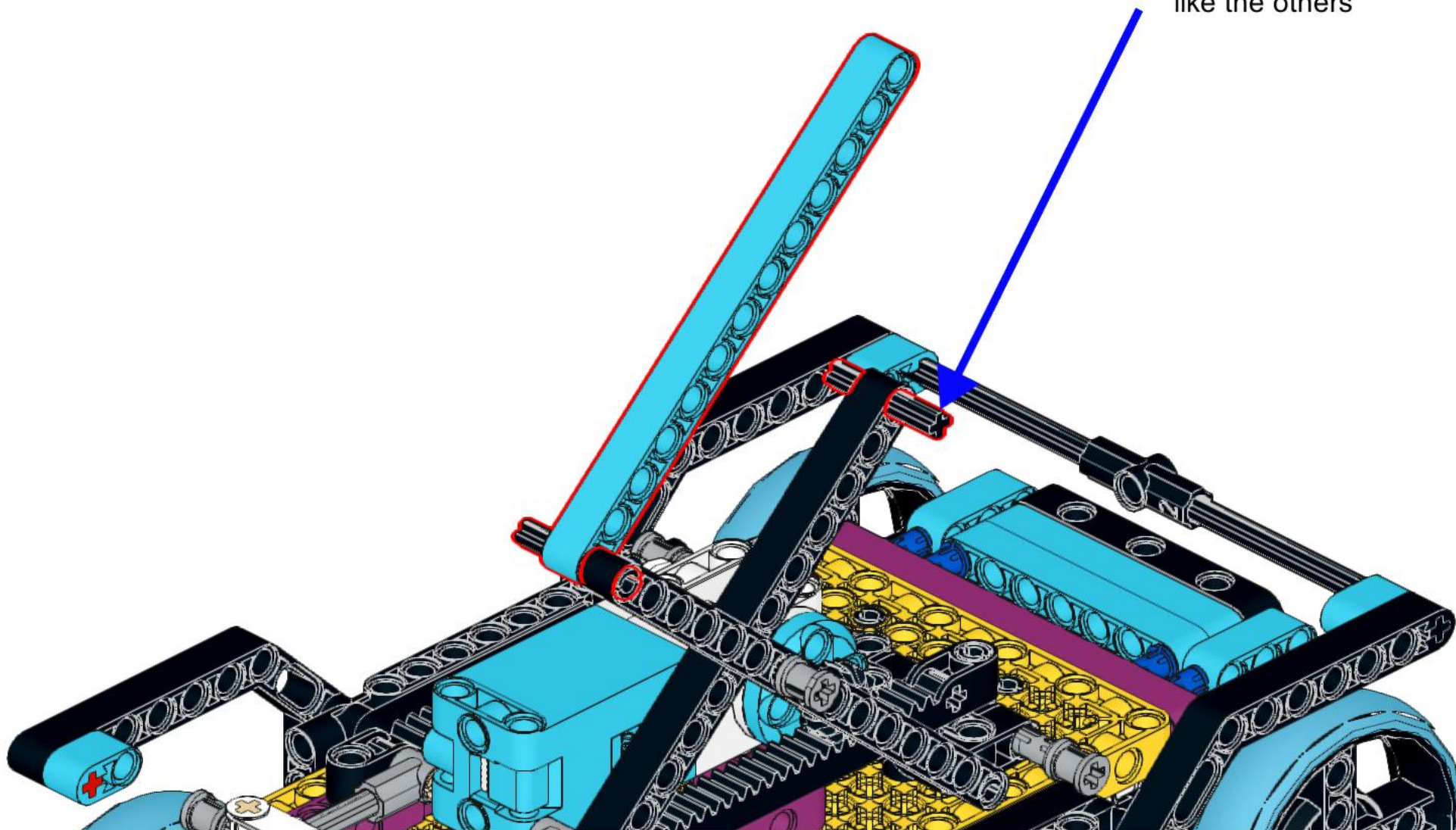
52



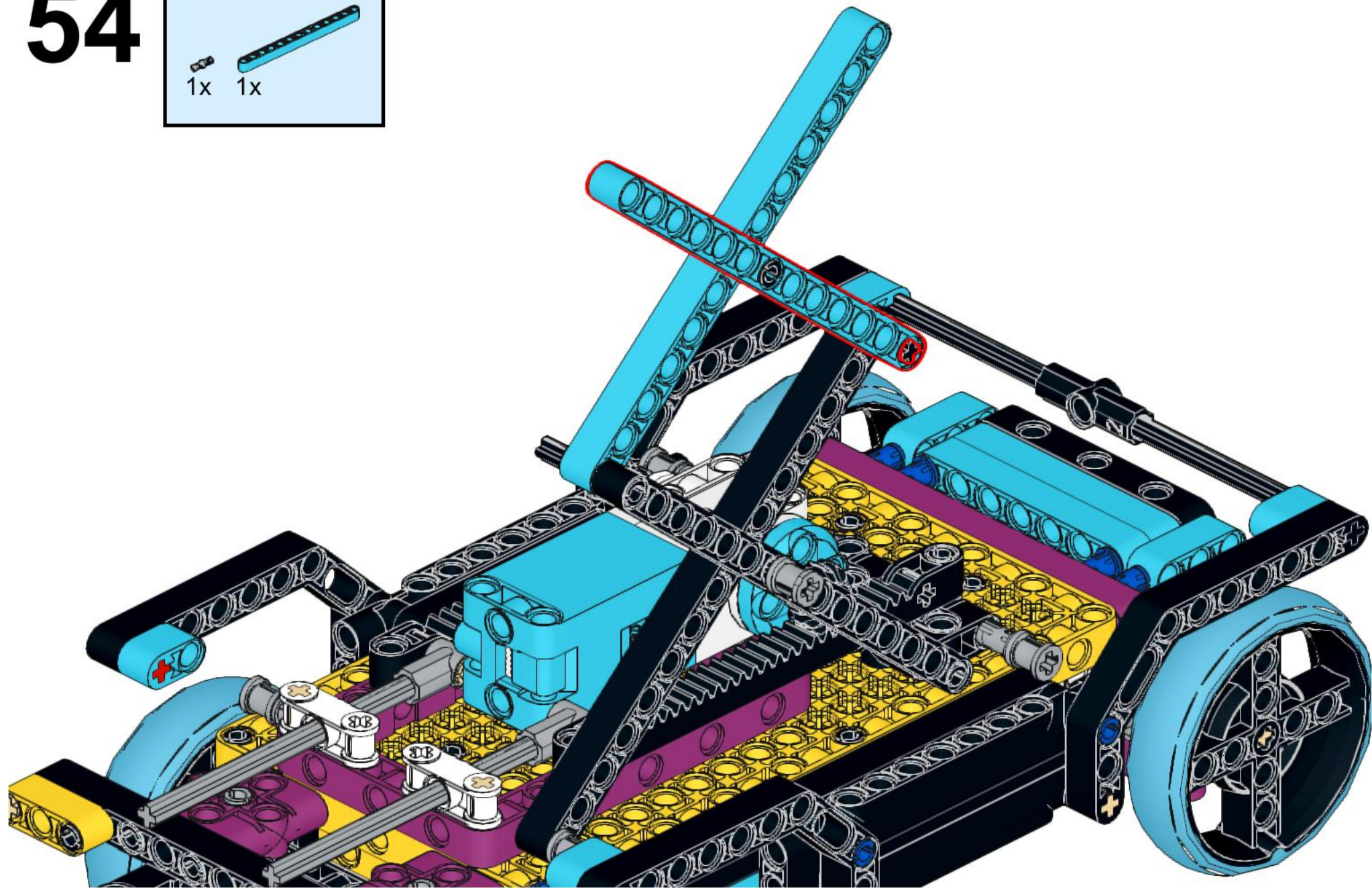
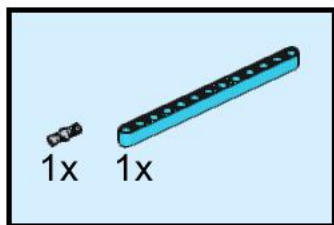
53



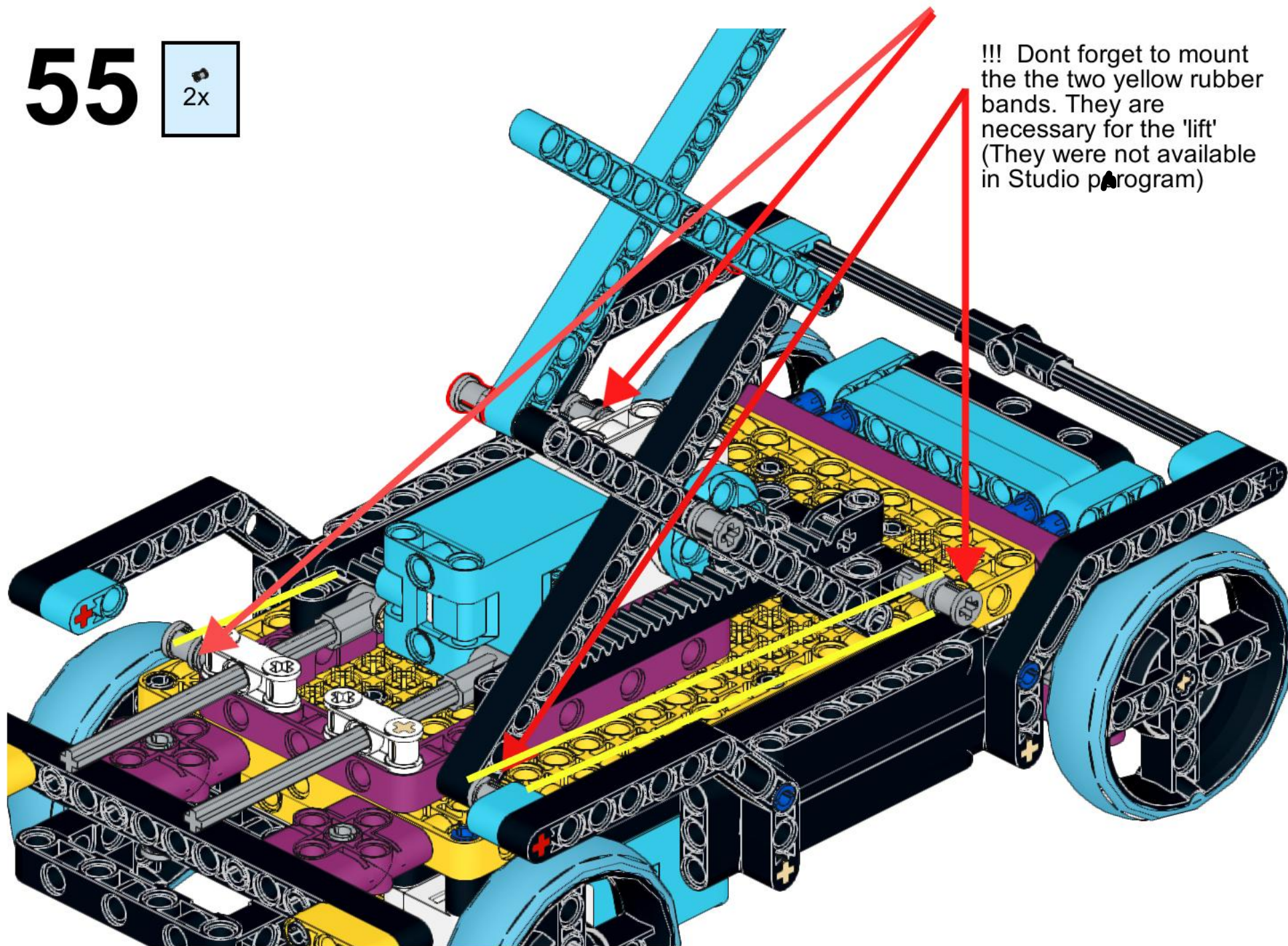
wrong axle in this picture, use pin/axle part just like the others



54

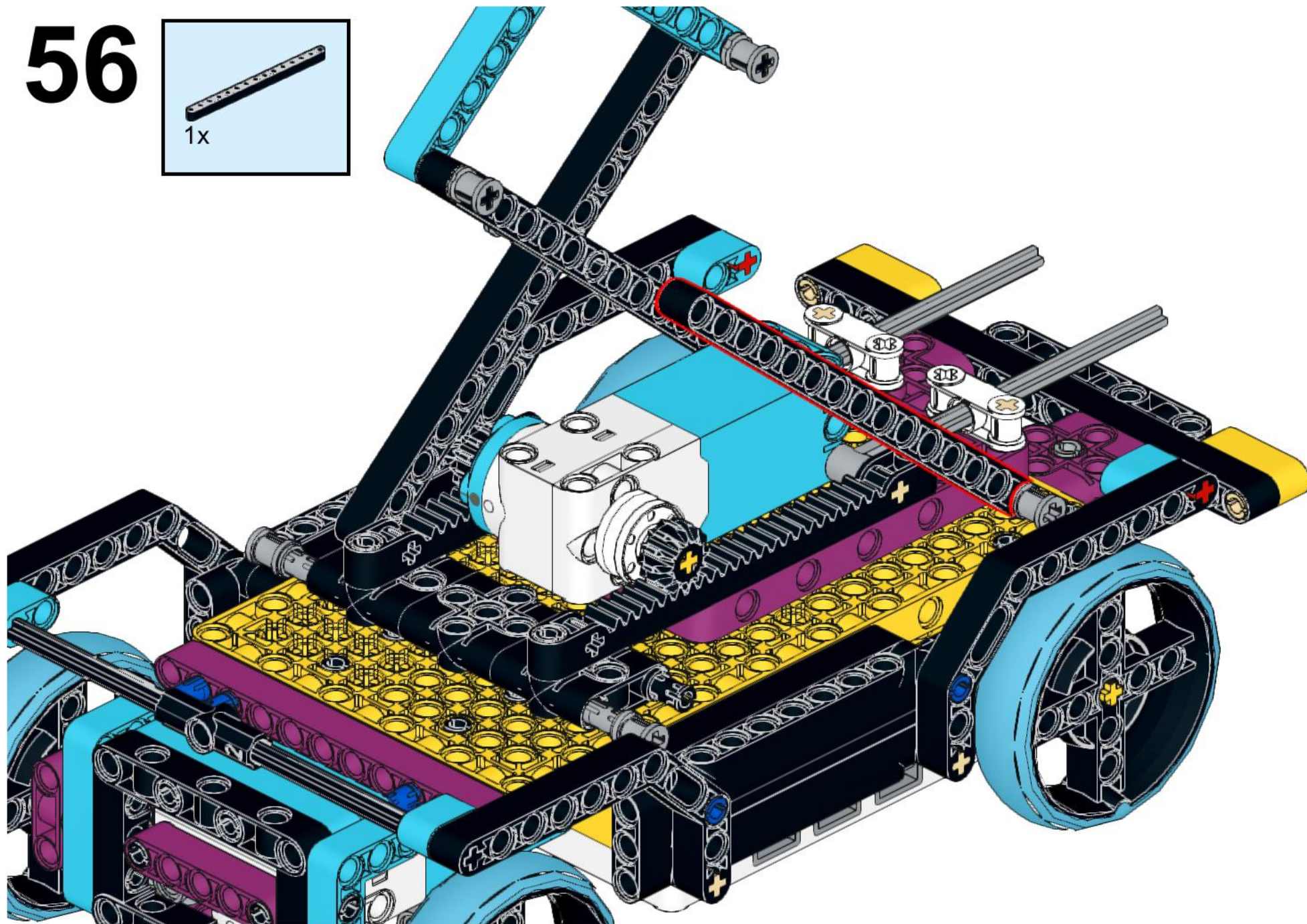
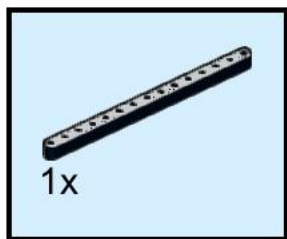


55

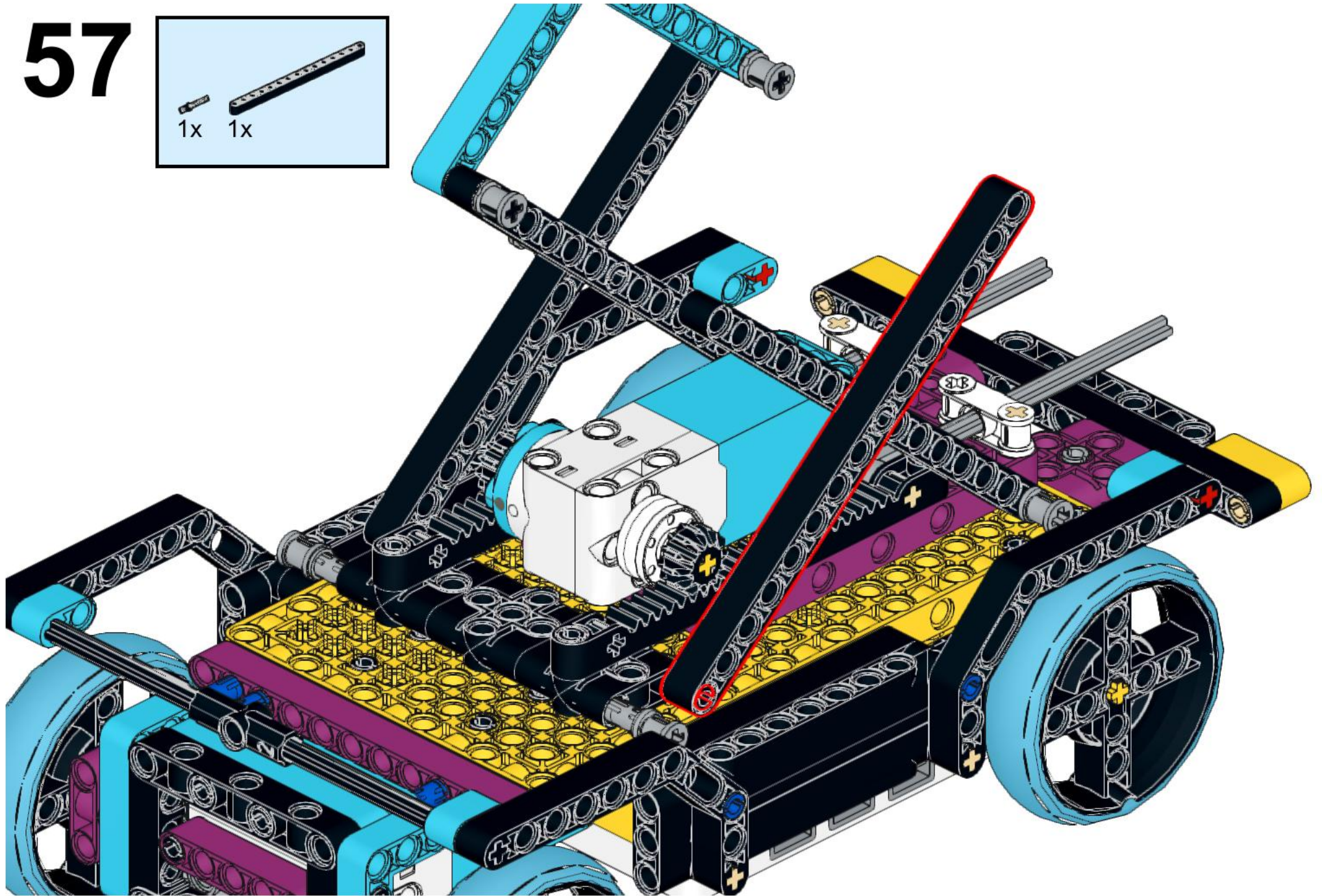
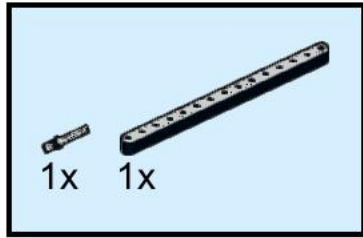


!!! Dont forget to mount the the two yellow rubber bands. They are necessary for the 'lift' (They were not available in Studio program)

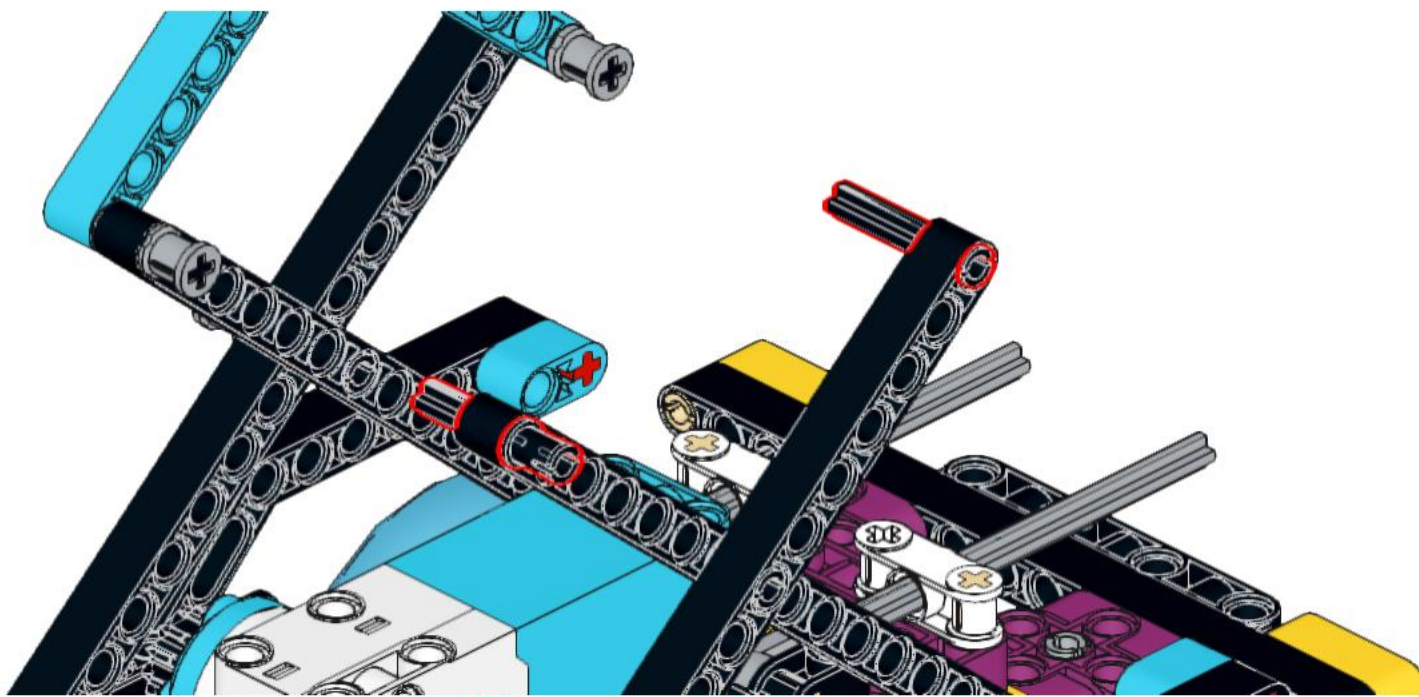
56



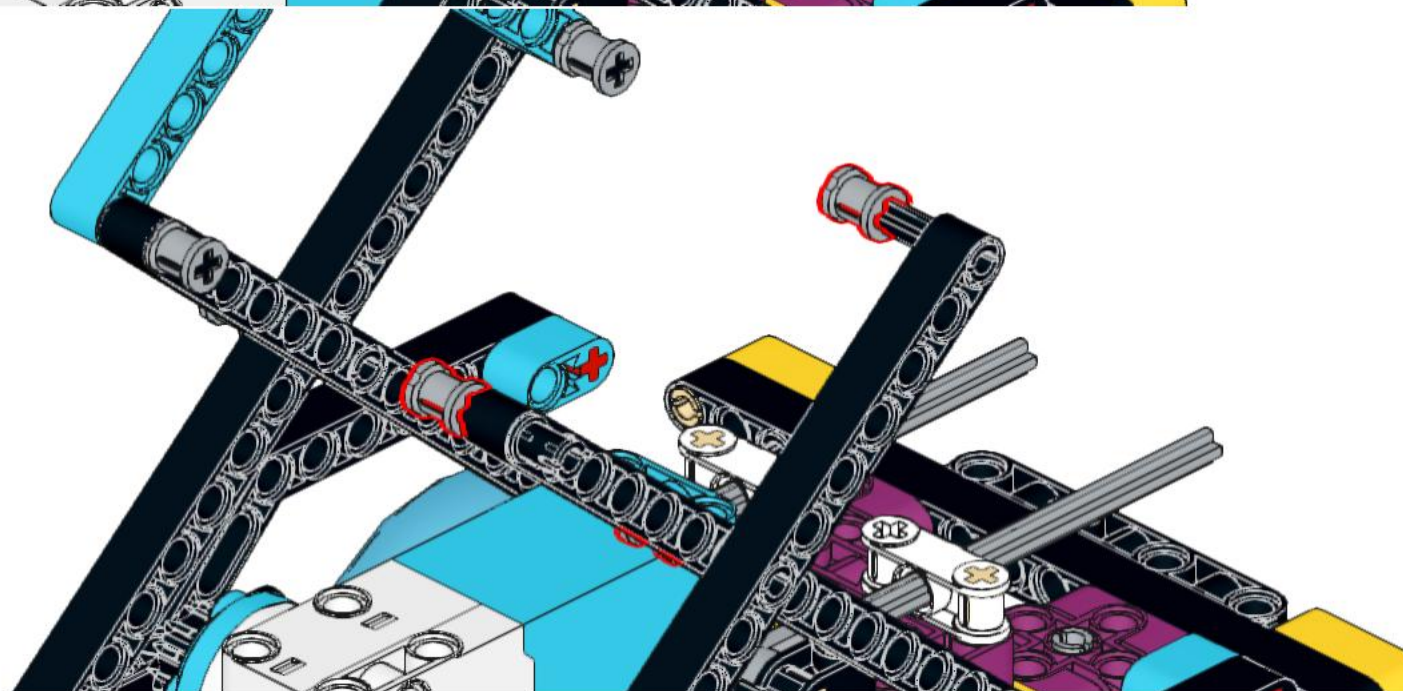
57



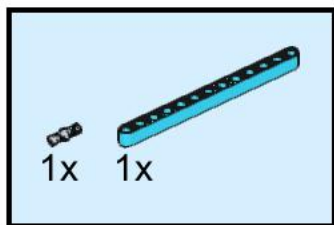
58



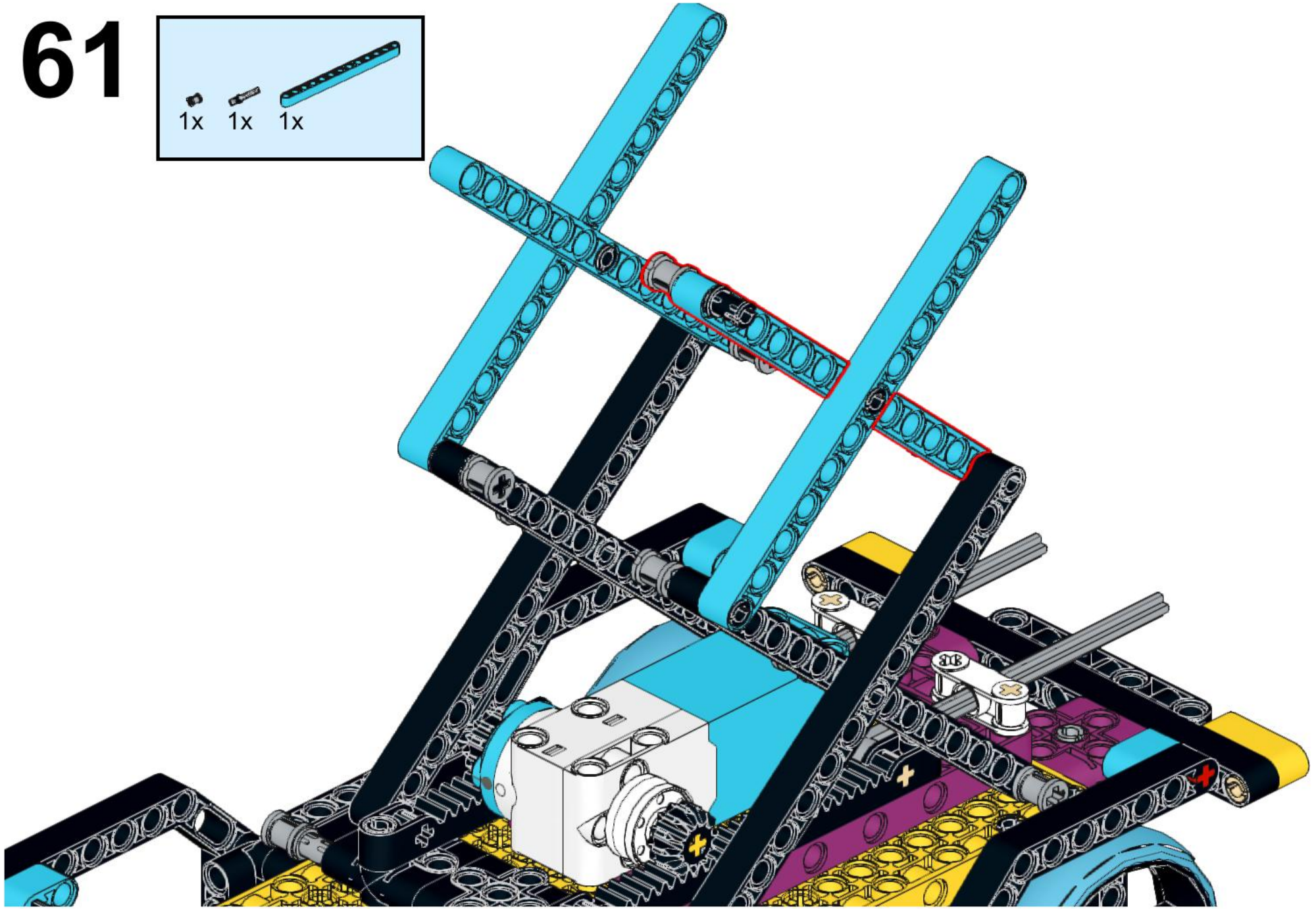
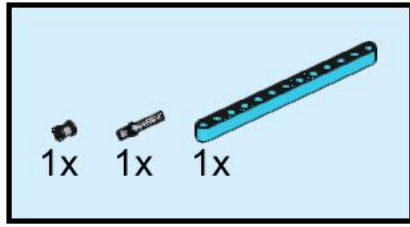
59




60

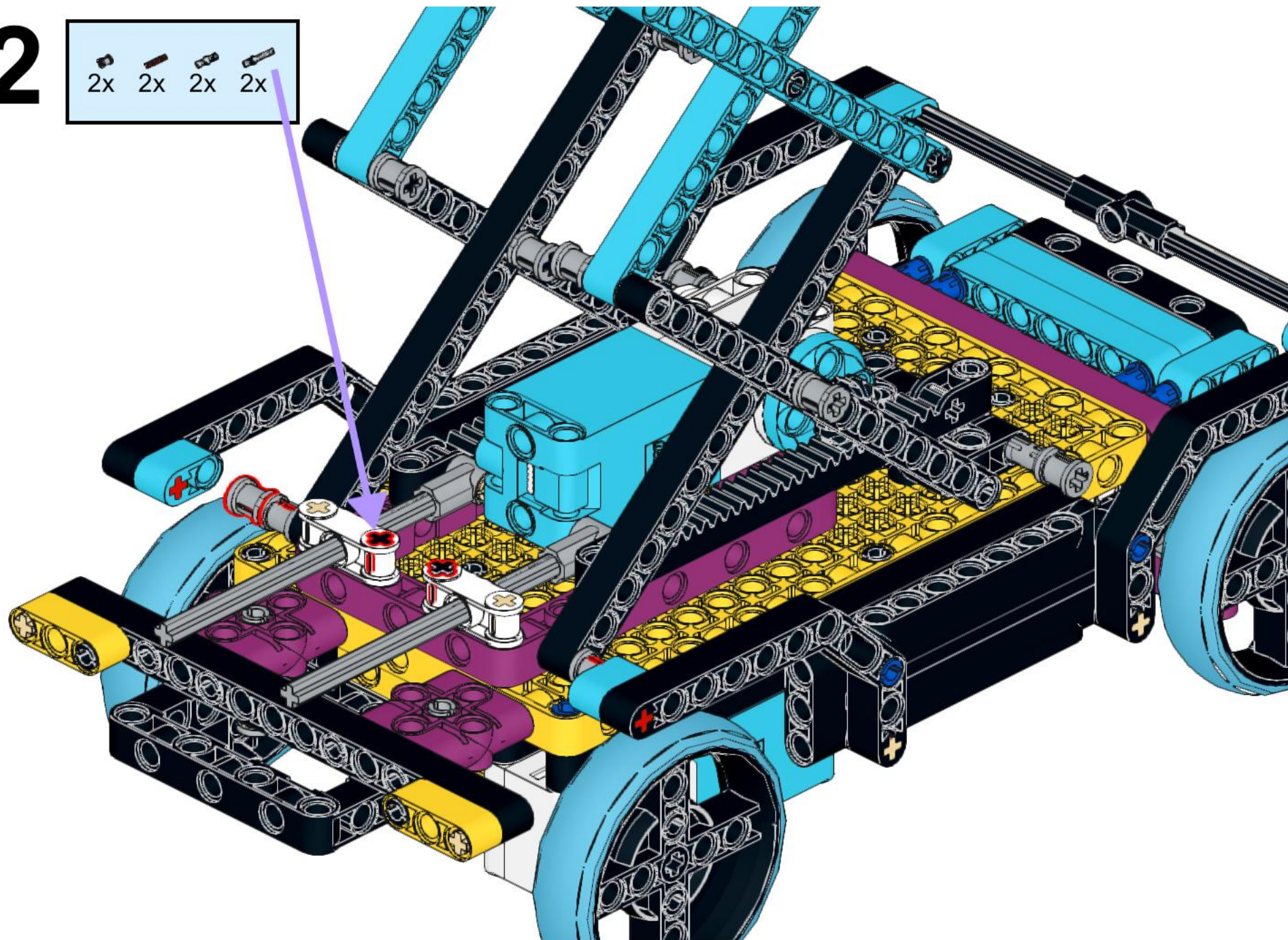


61

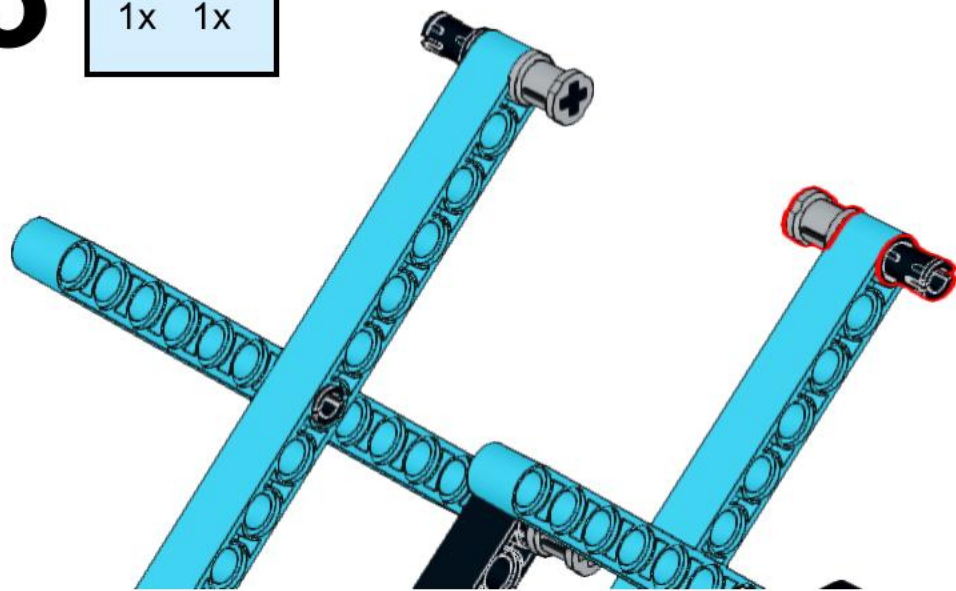
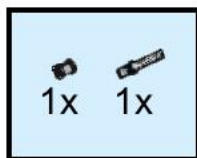


62

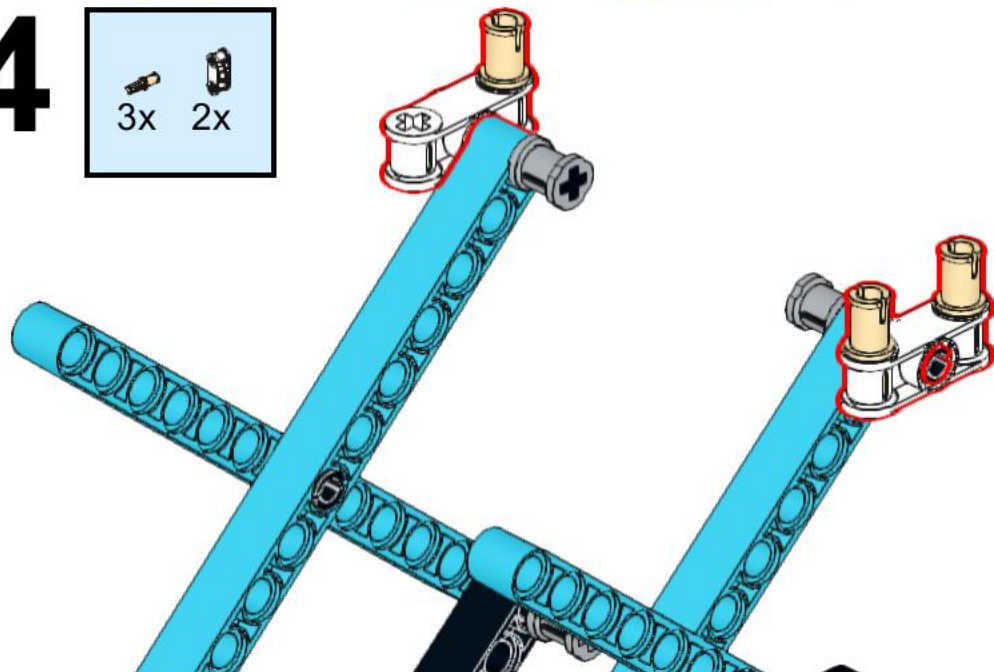
- 2x 
- 2x 
- 2x 
- 2x 



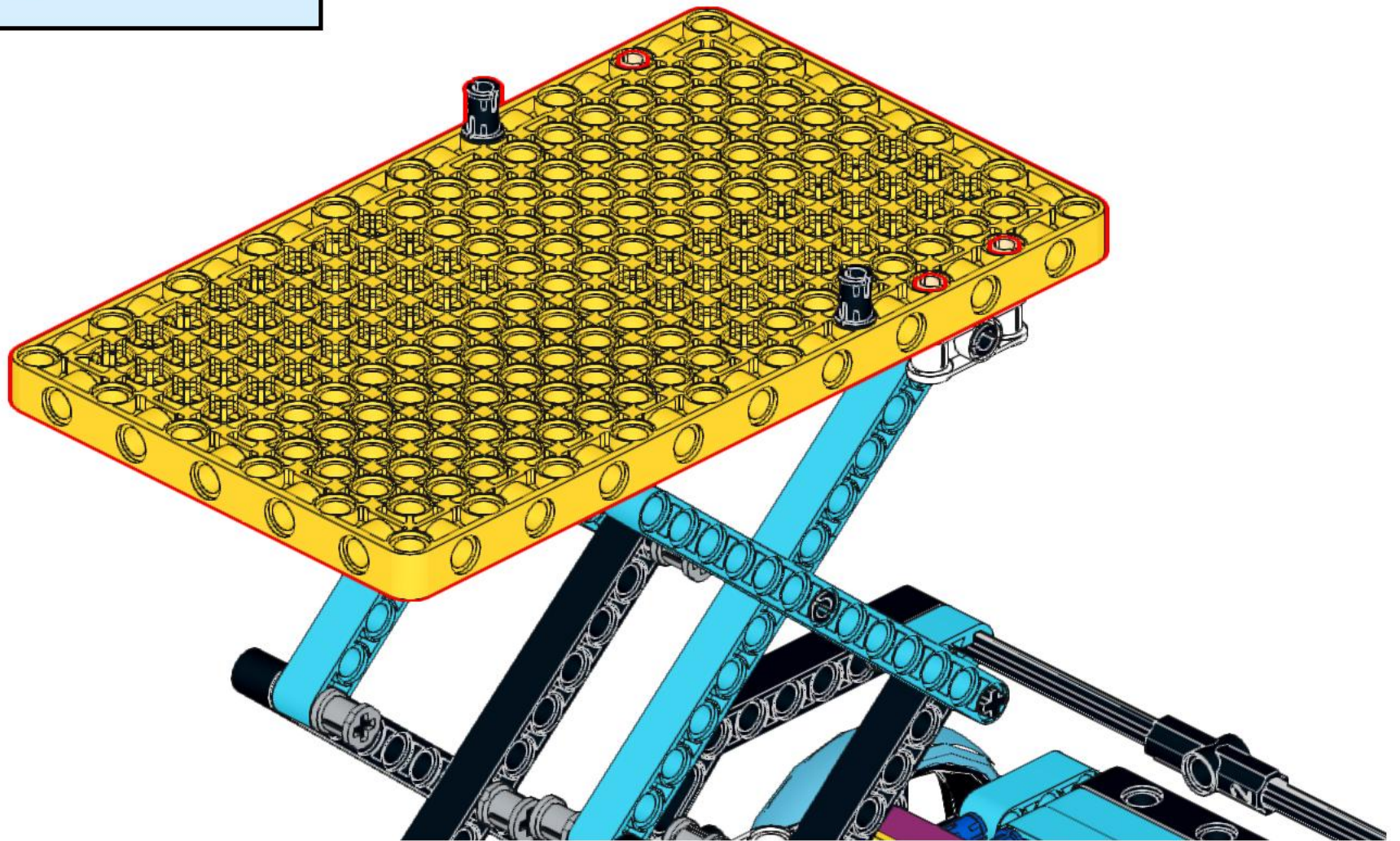
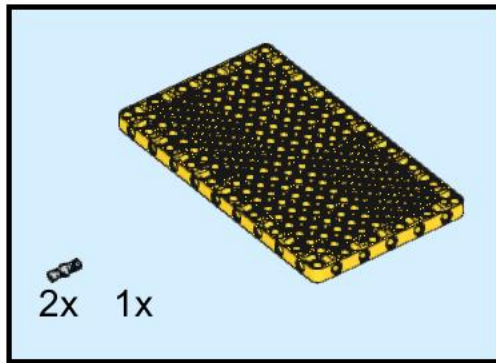
63



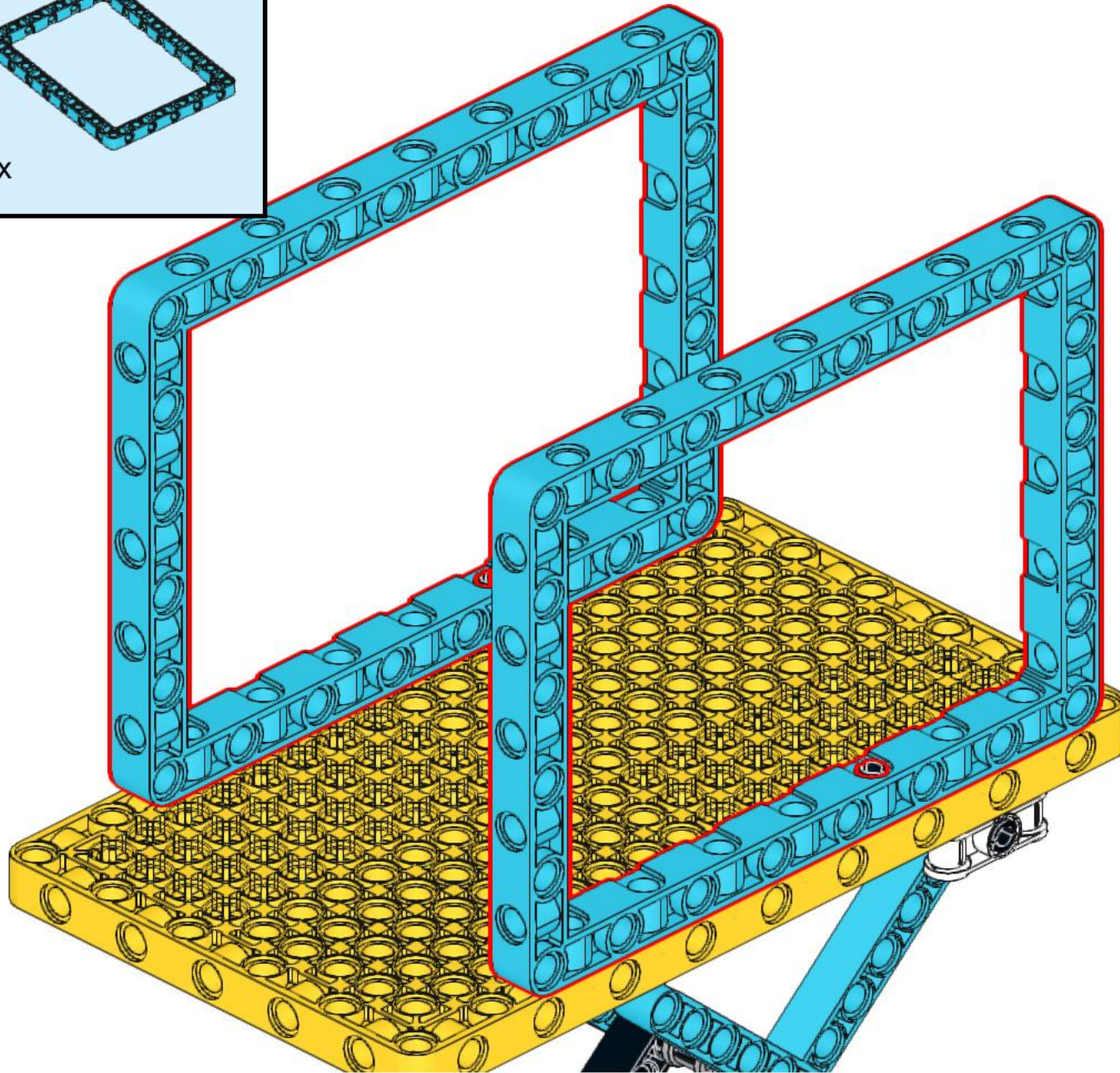
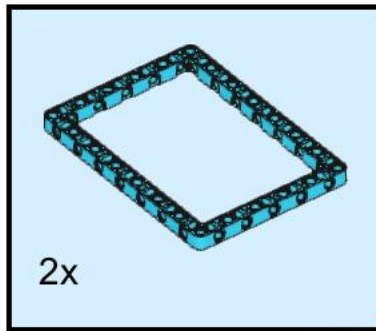
64



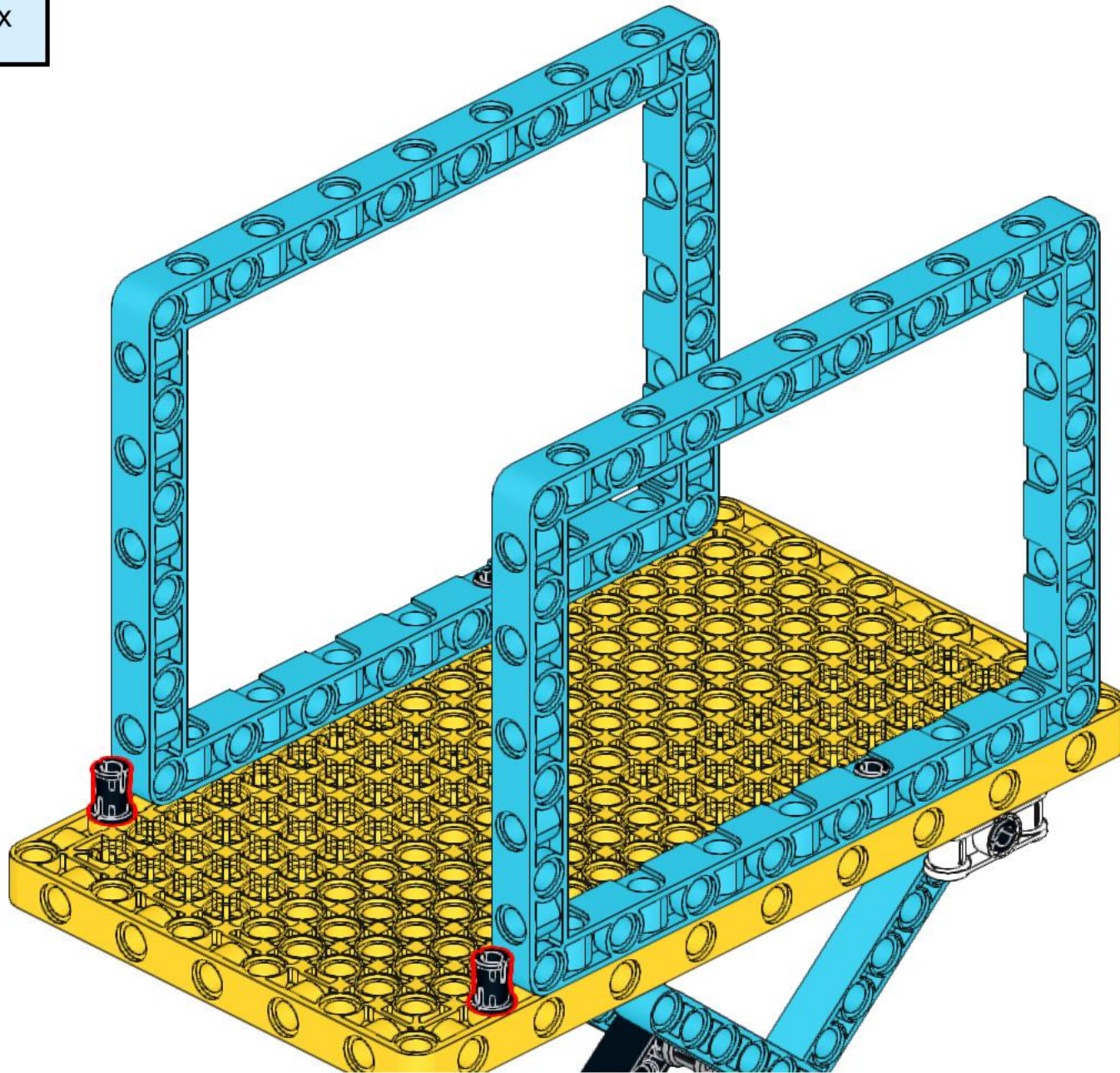
65



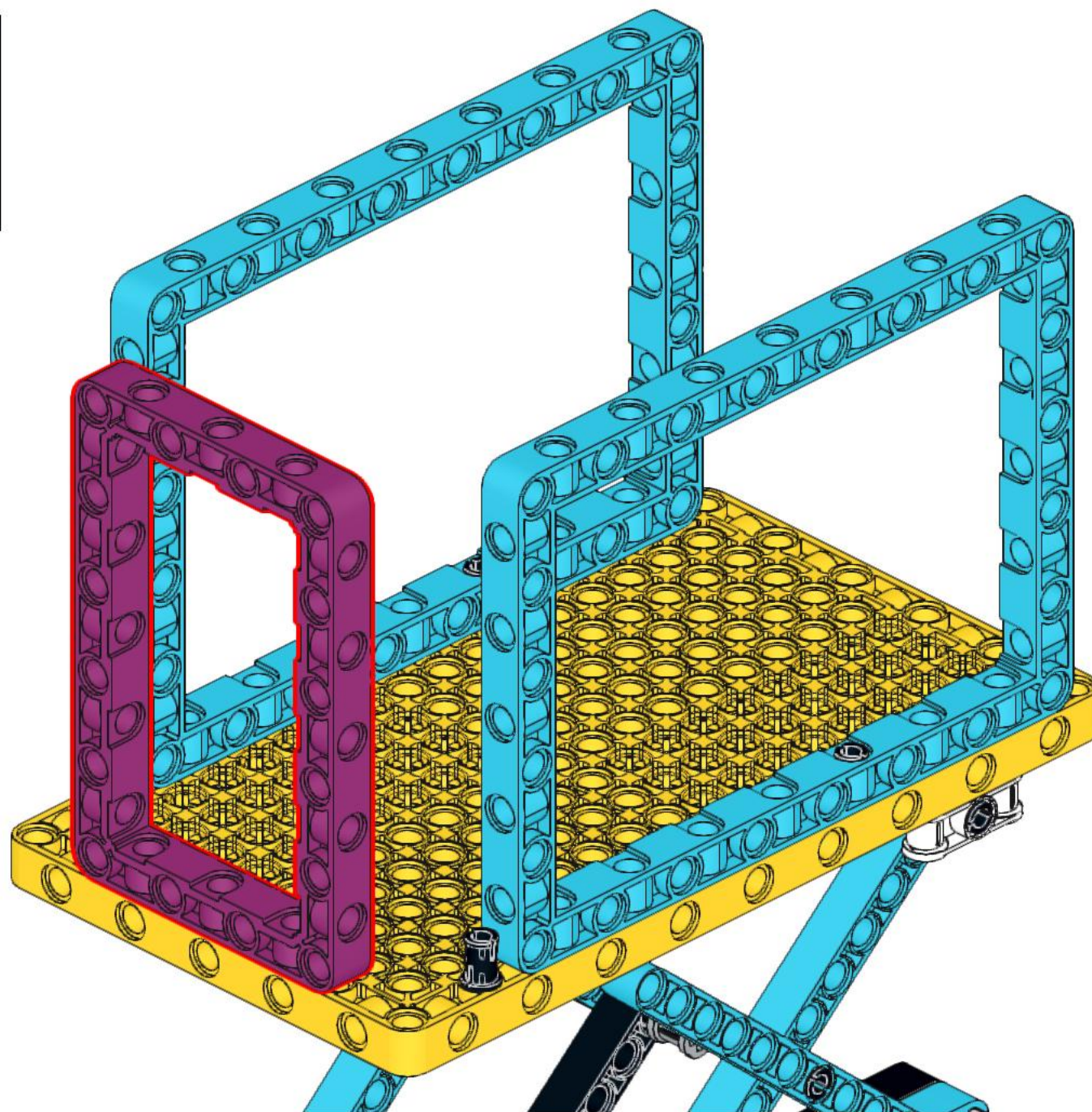
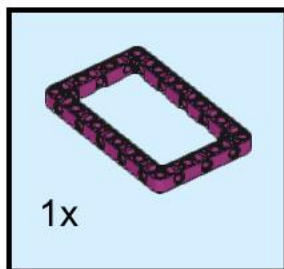
66



67

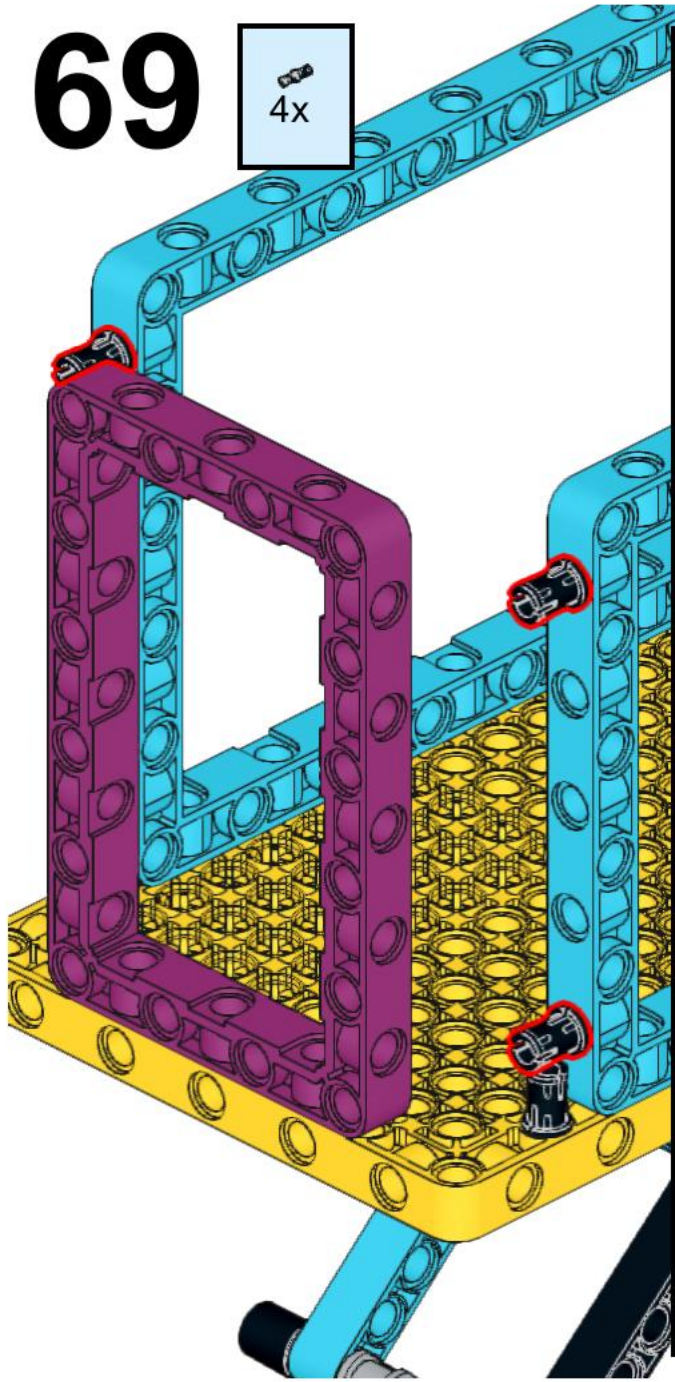


68



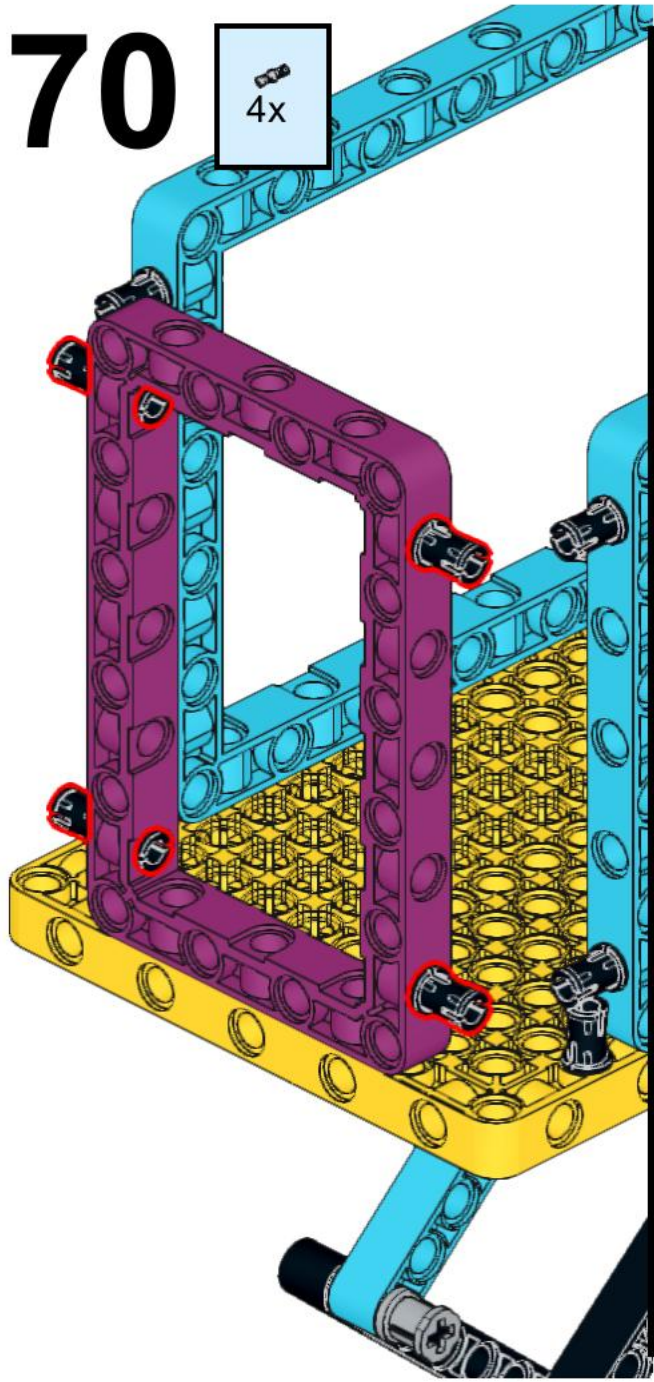
69

4x



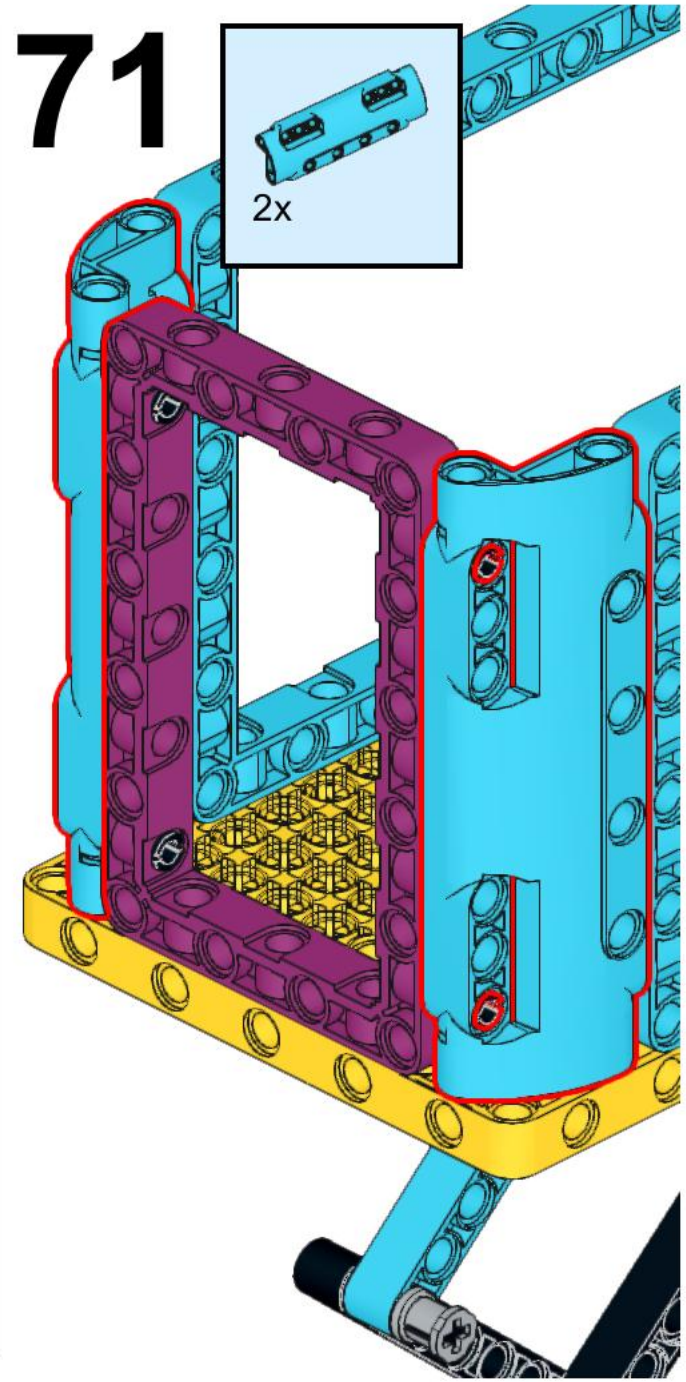
70

4x

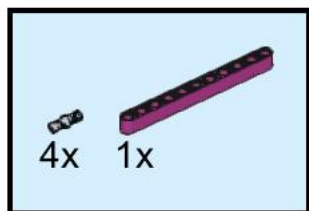
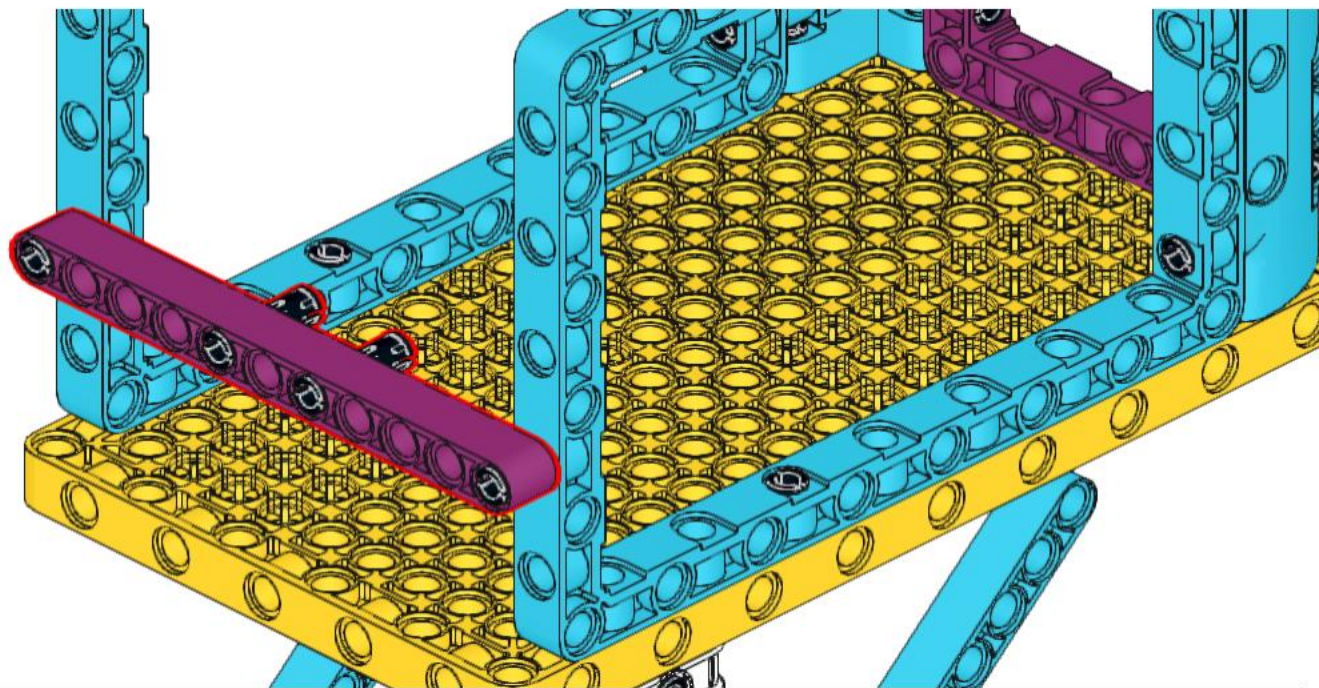


71

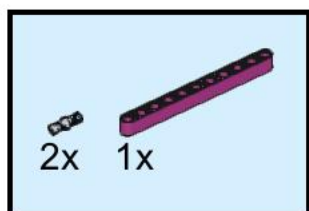
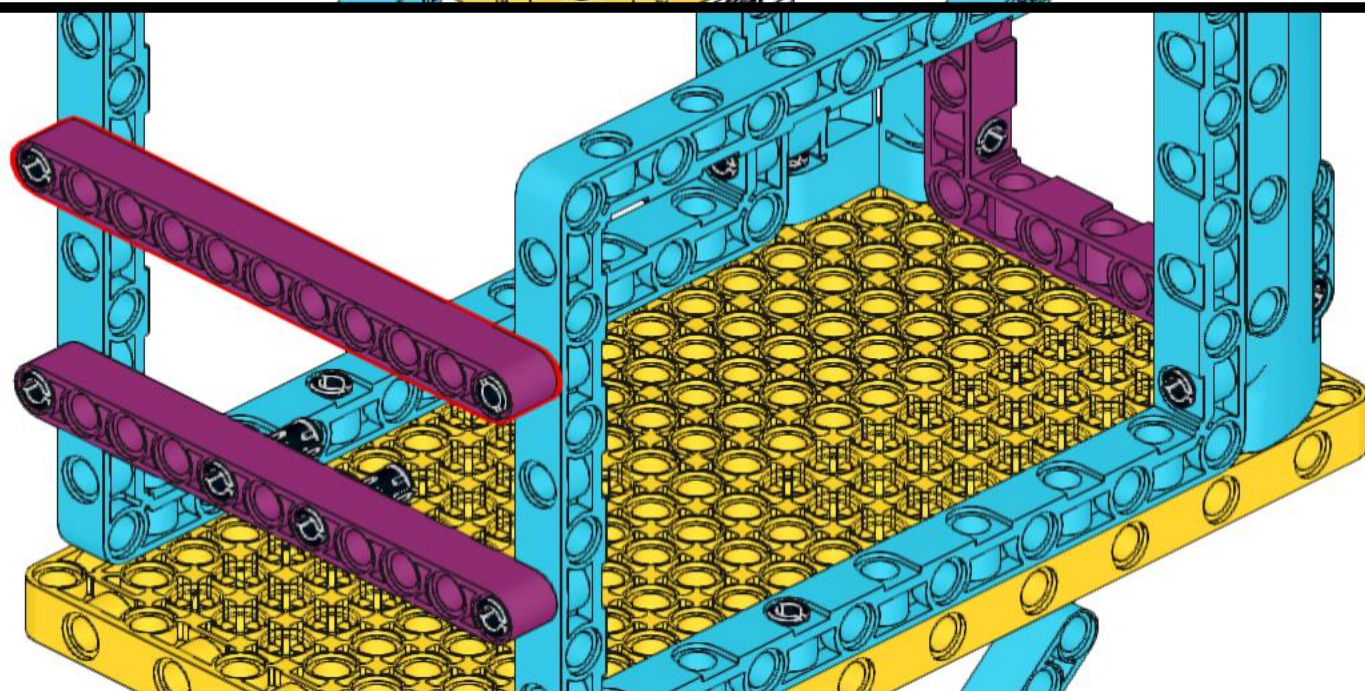
2x



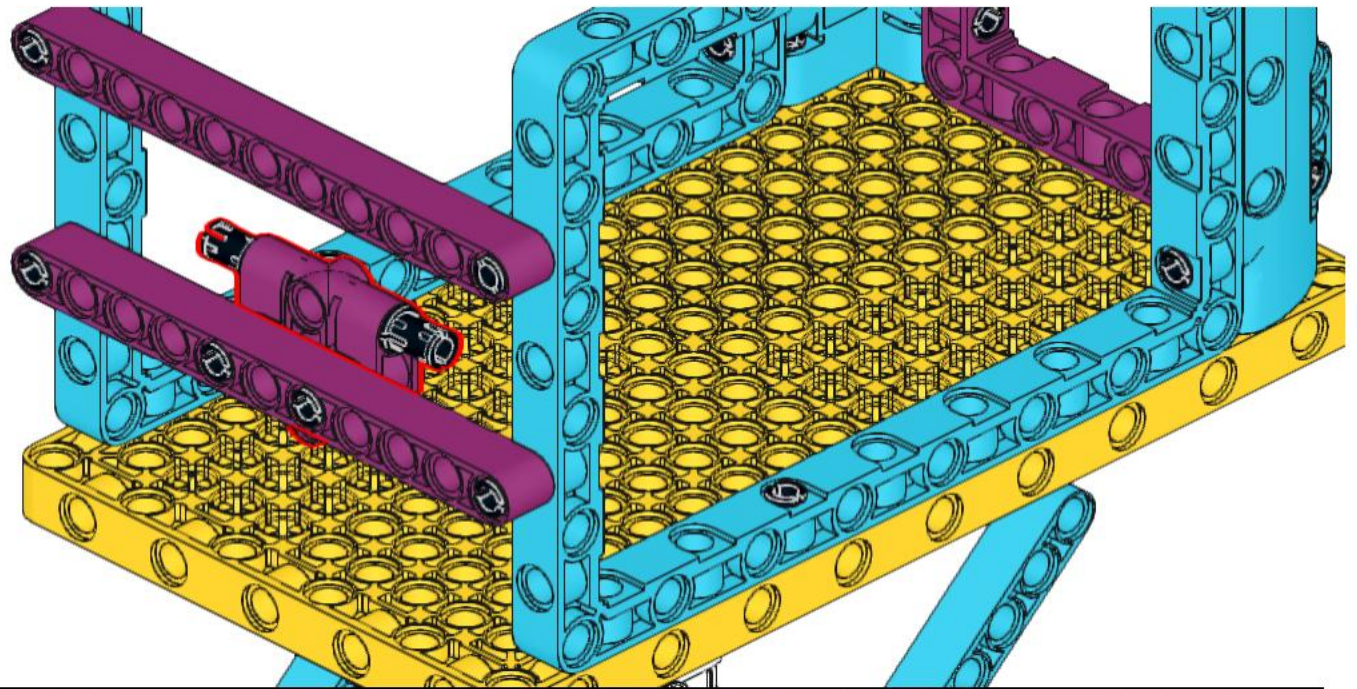
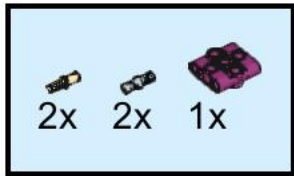
72



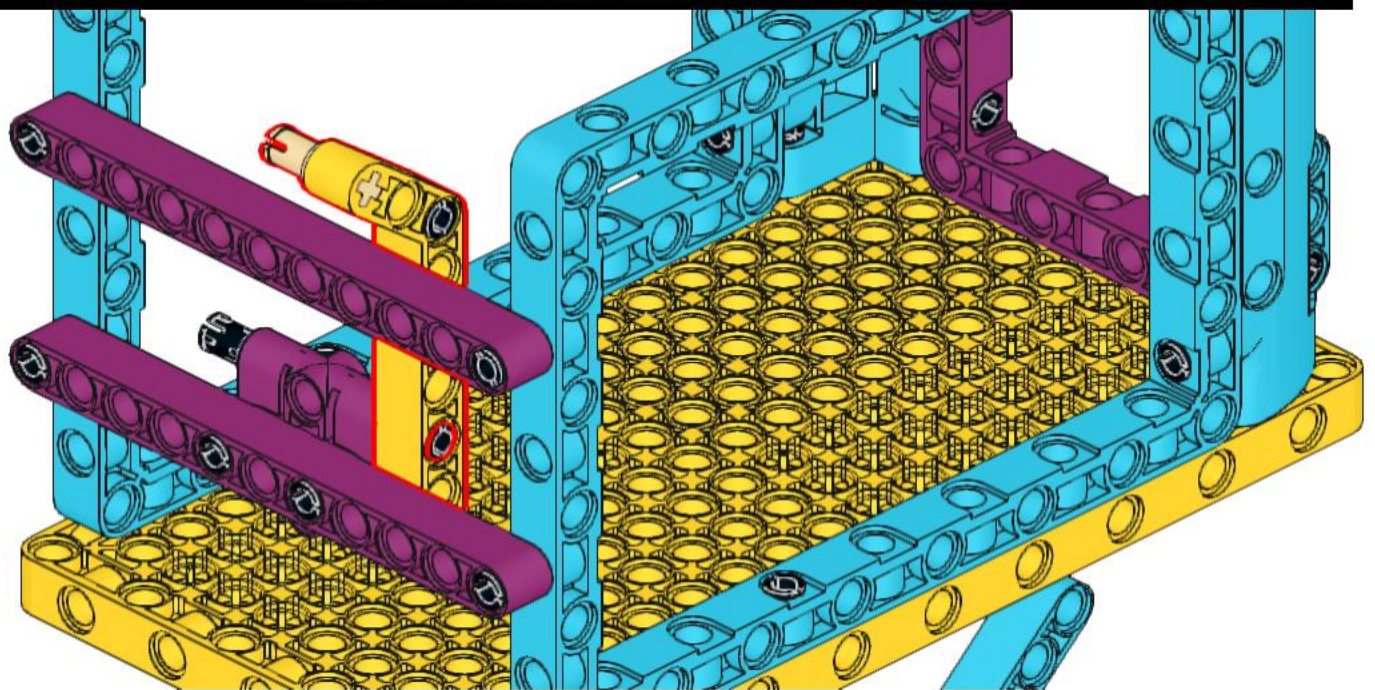
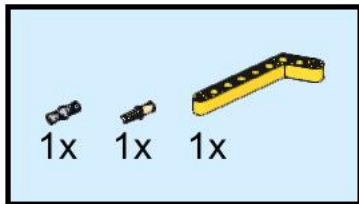
73



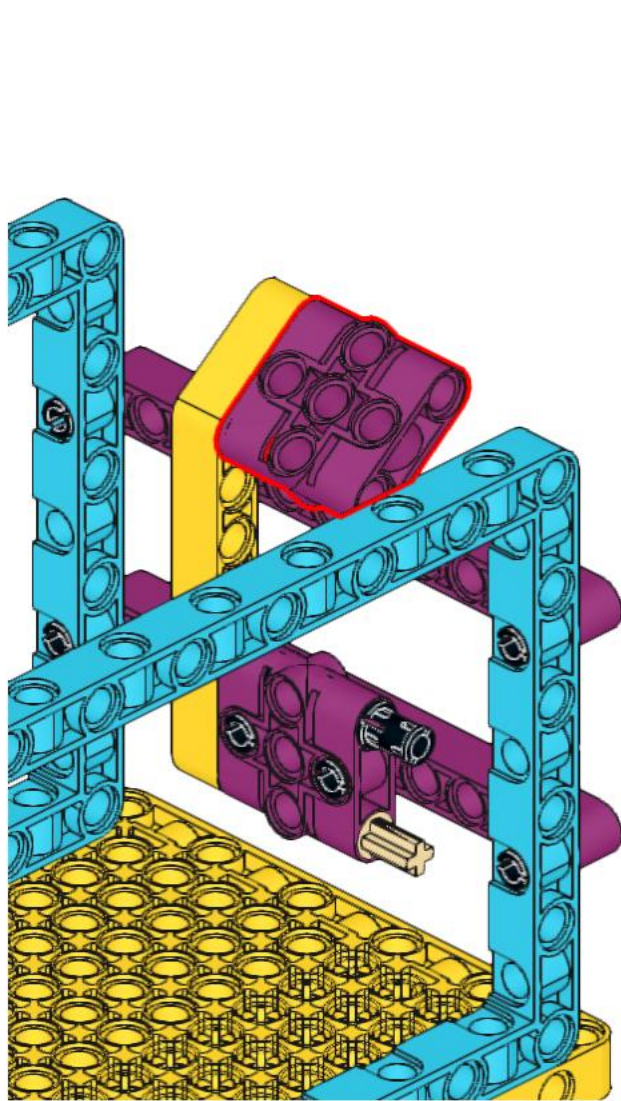
74



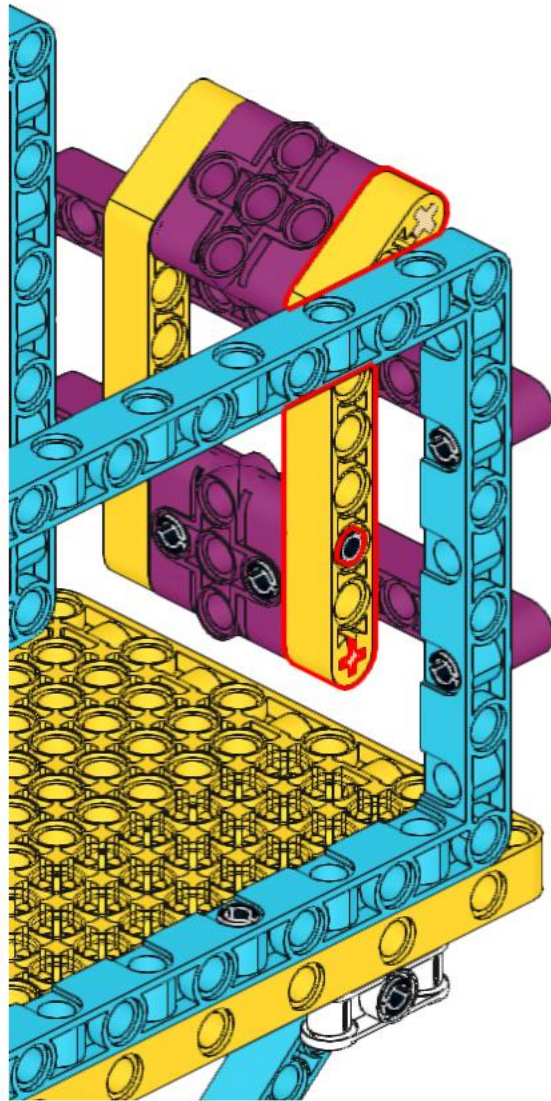
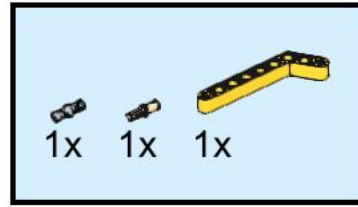
75



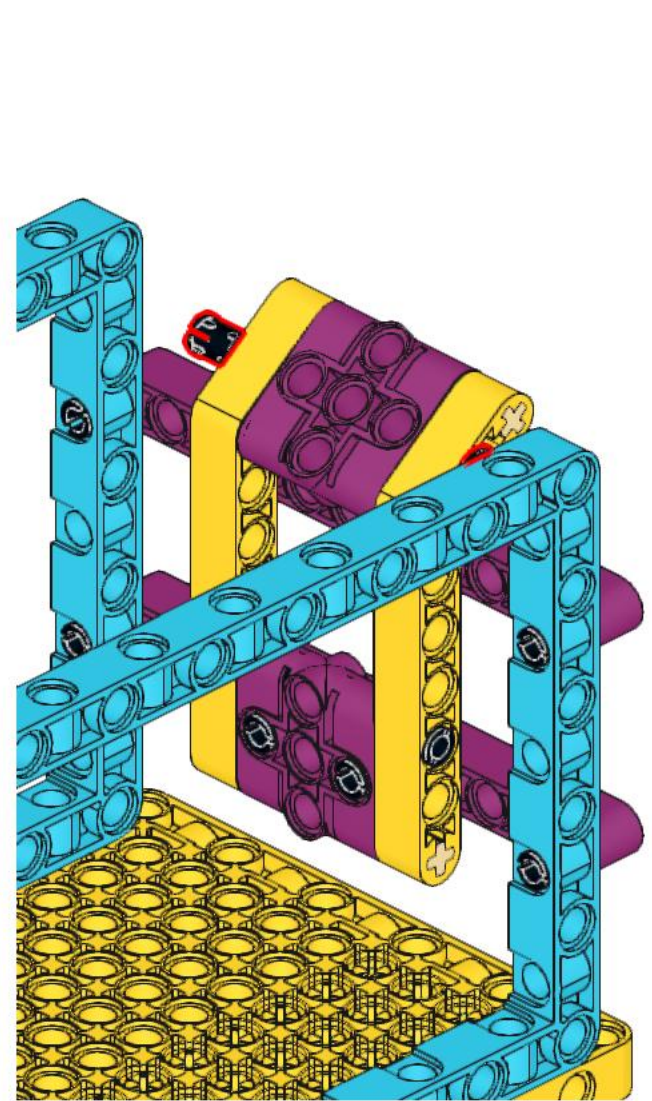
76



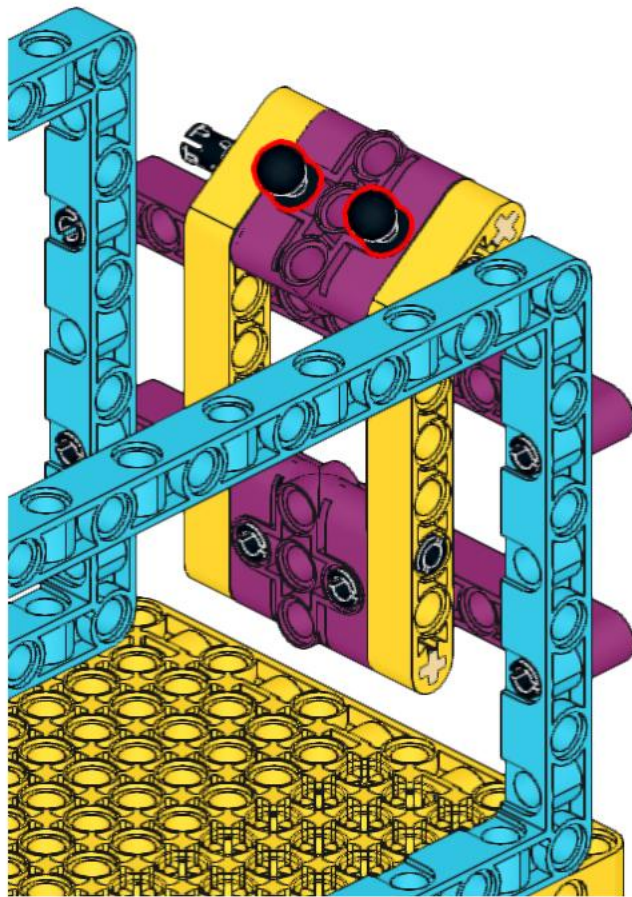
77



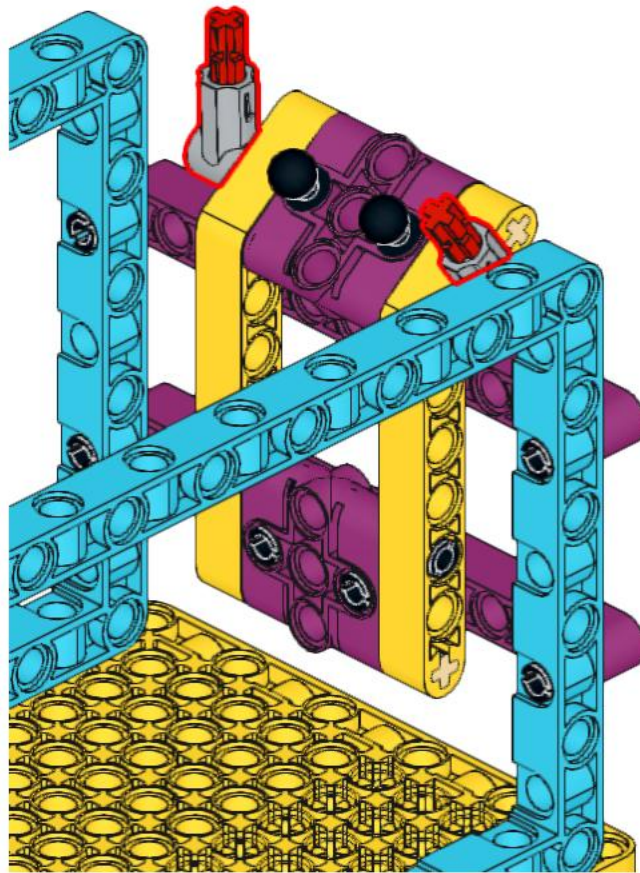
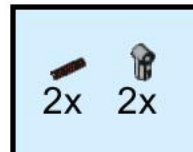
78



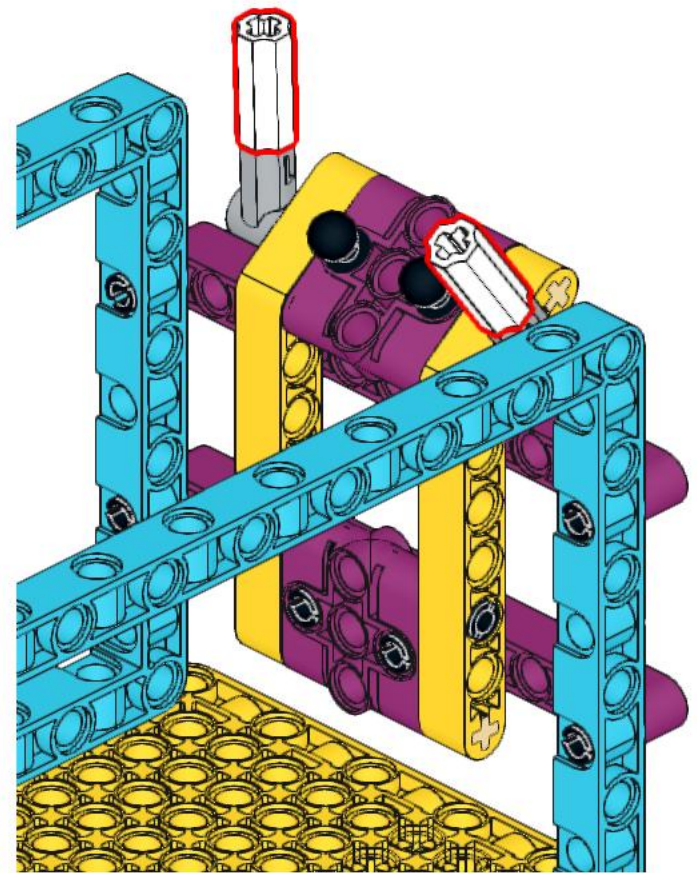
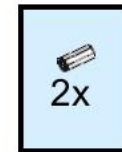
79



80



81





LEGO® SPIKE Prime Scissor lift on YouTube:

<https://youtu.be/pUyq5MCOgml>