

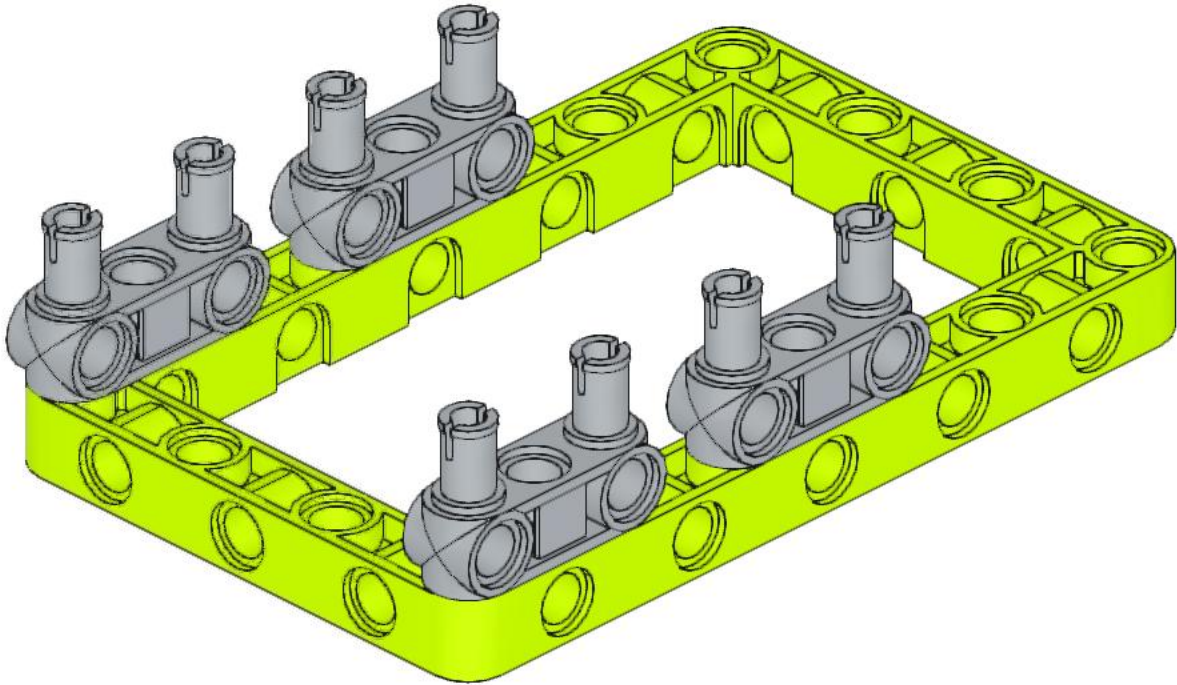
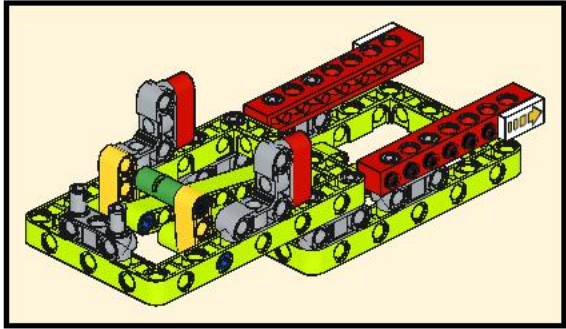
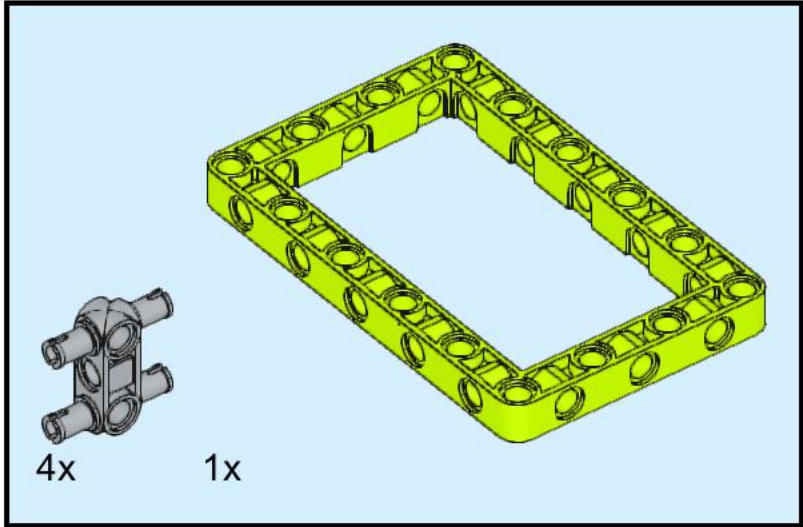
# Skelterman



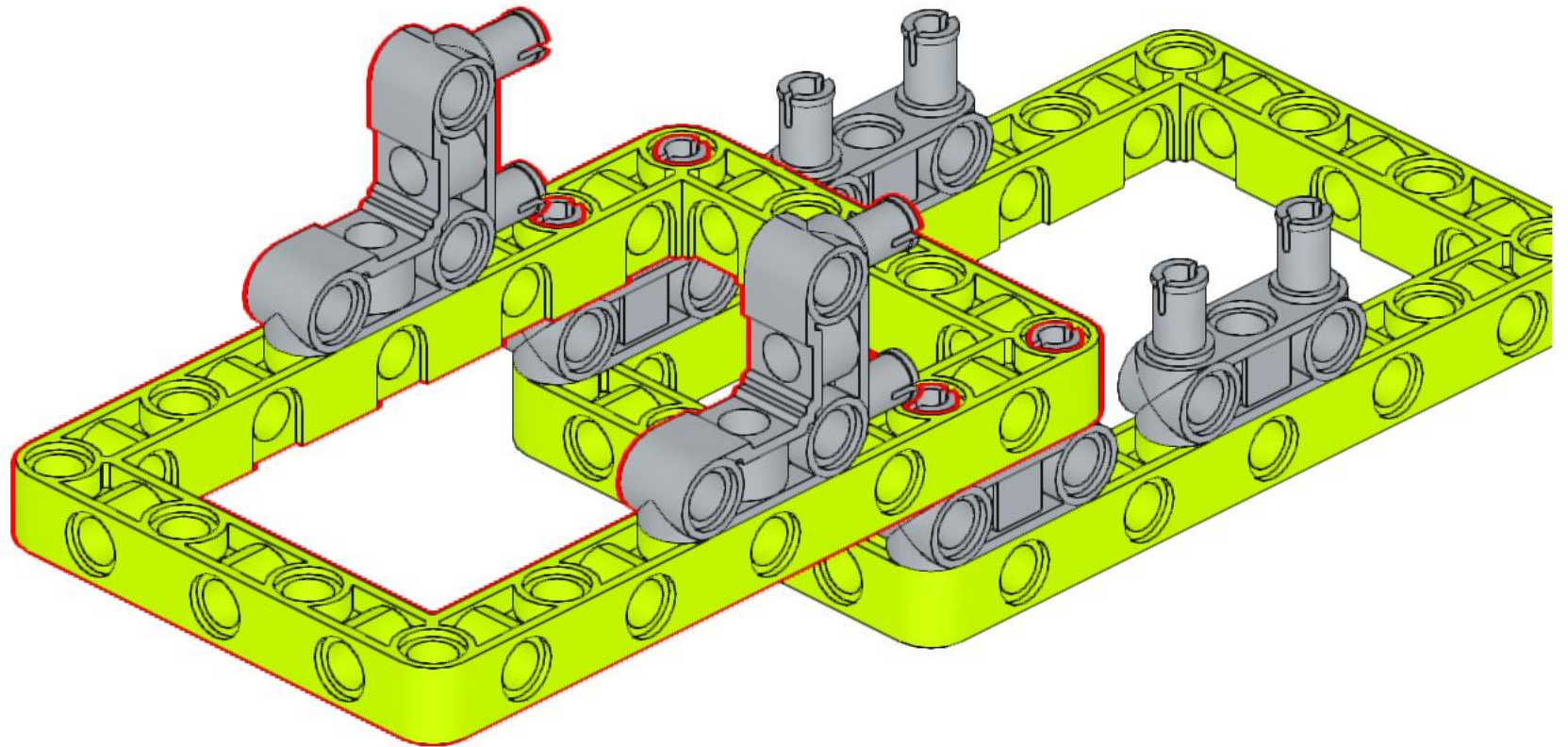
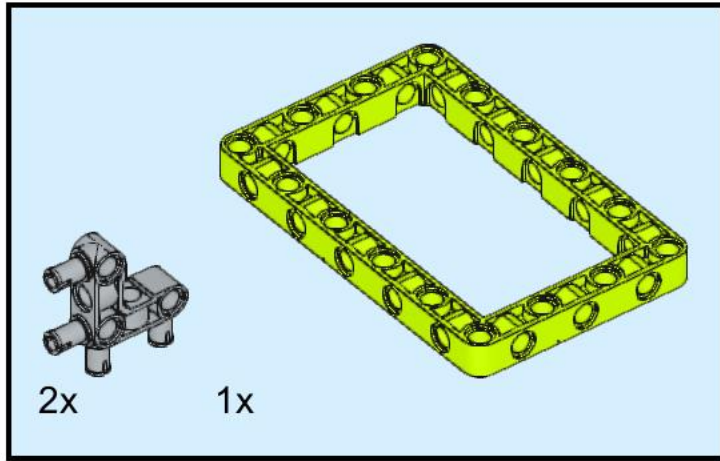
2000470



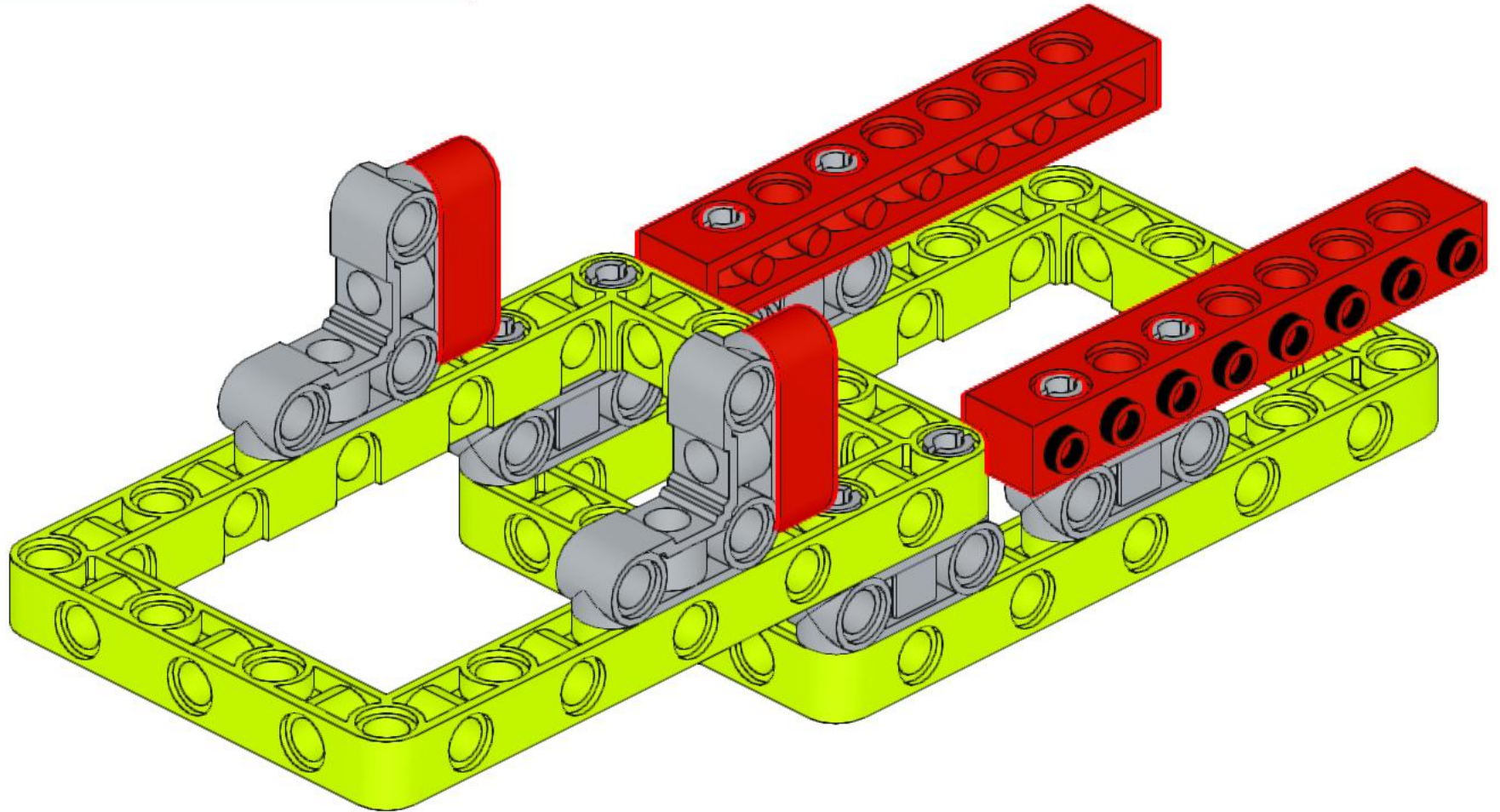
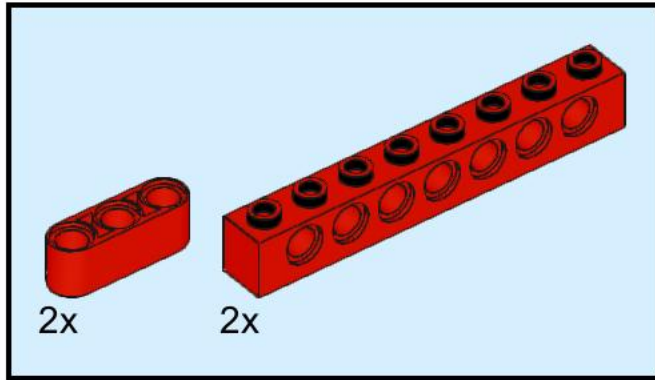
1



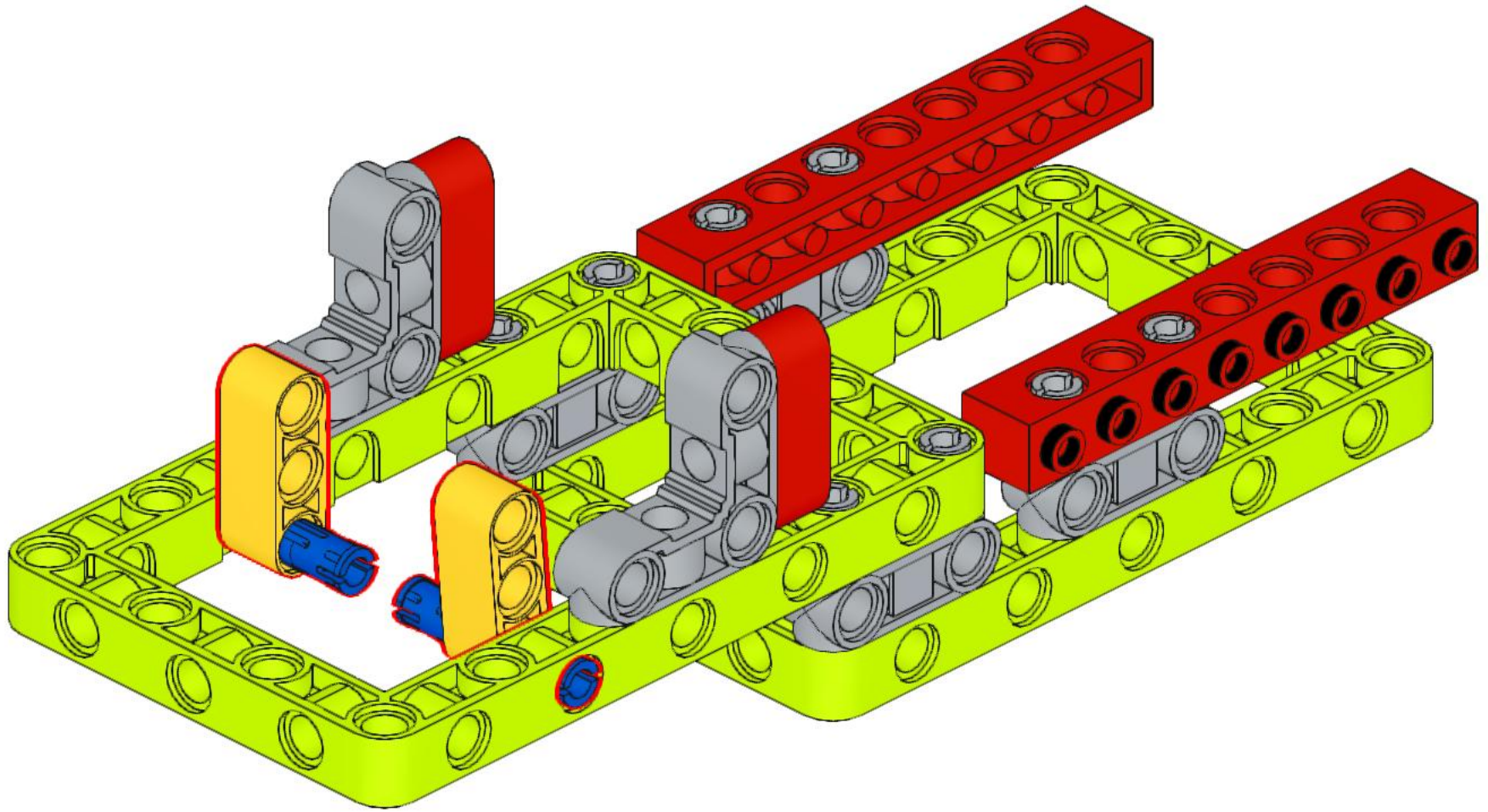
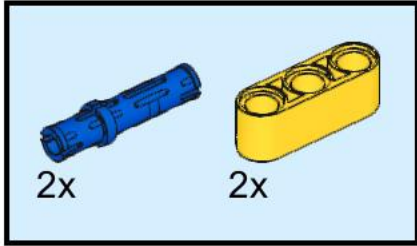
2



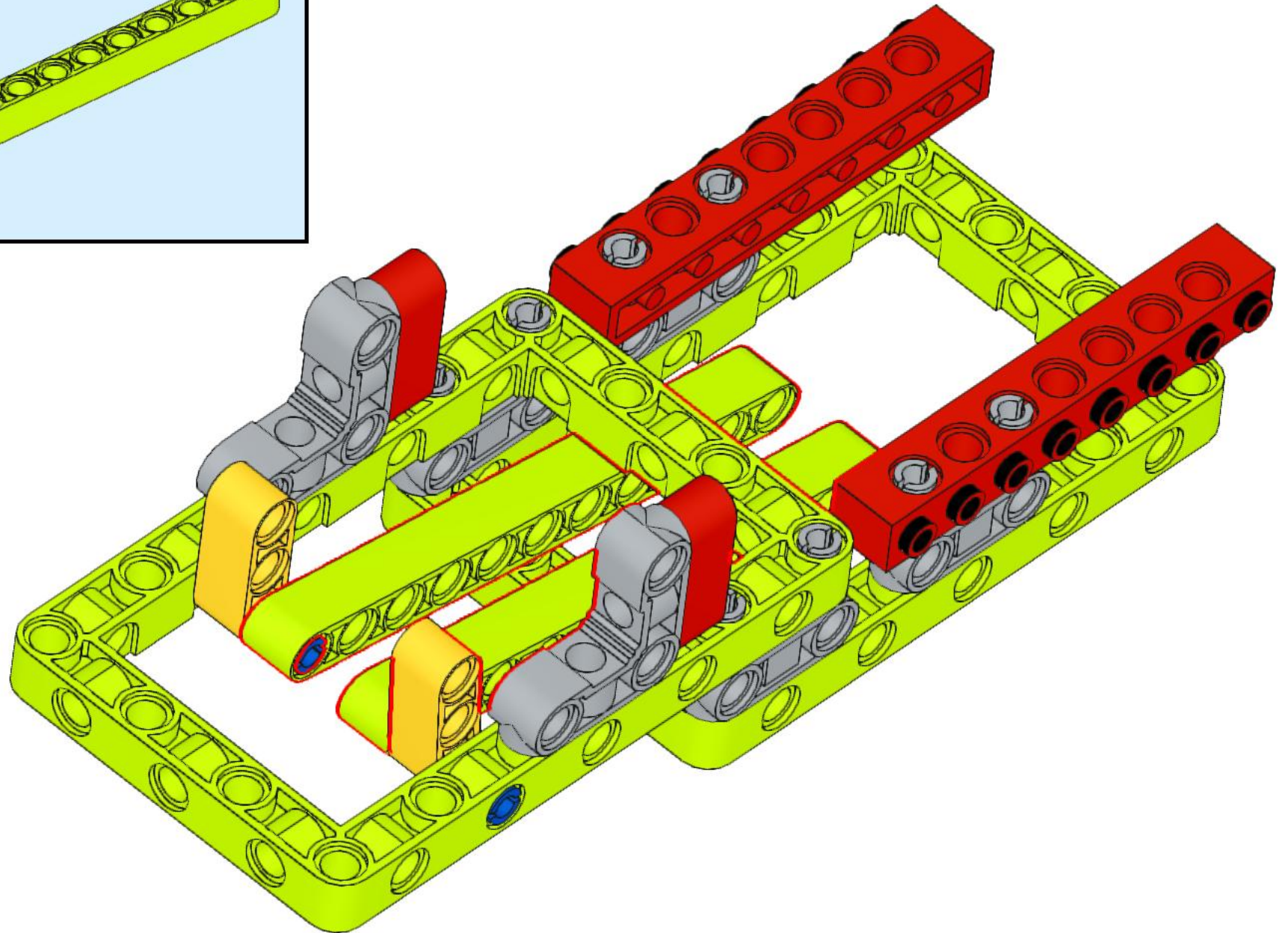
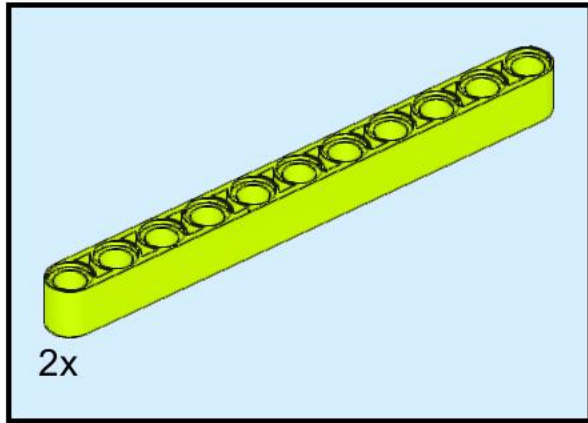
3



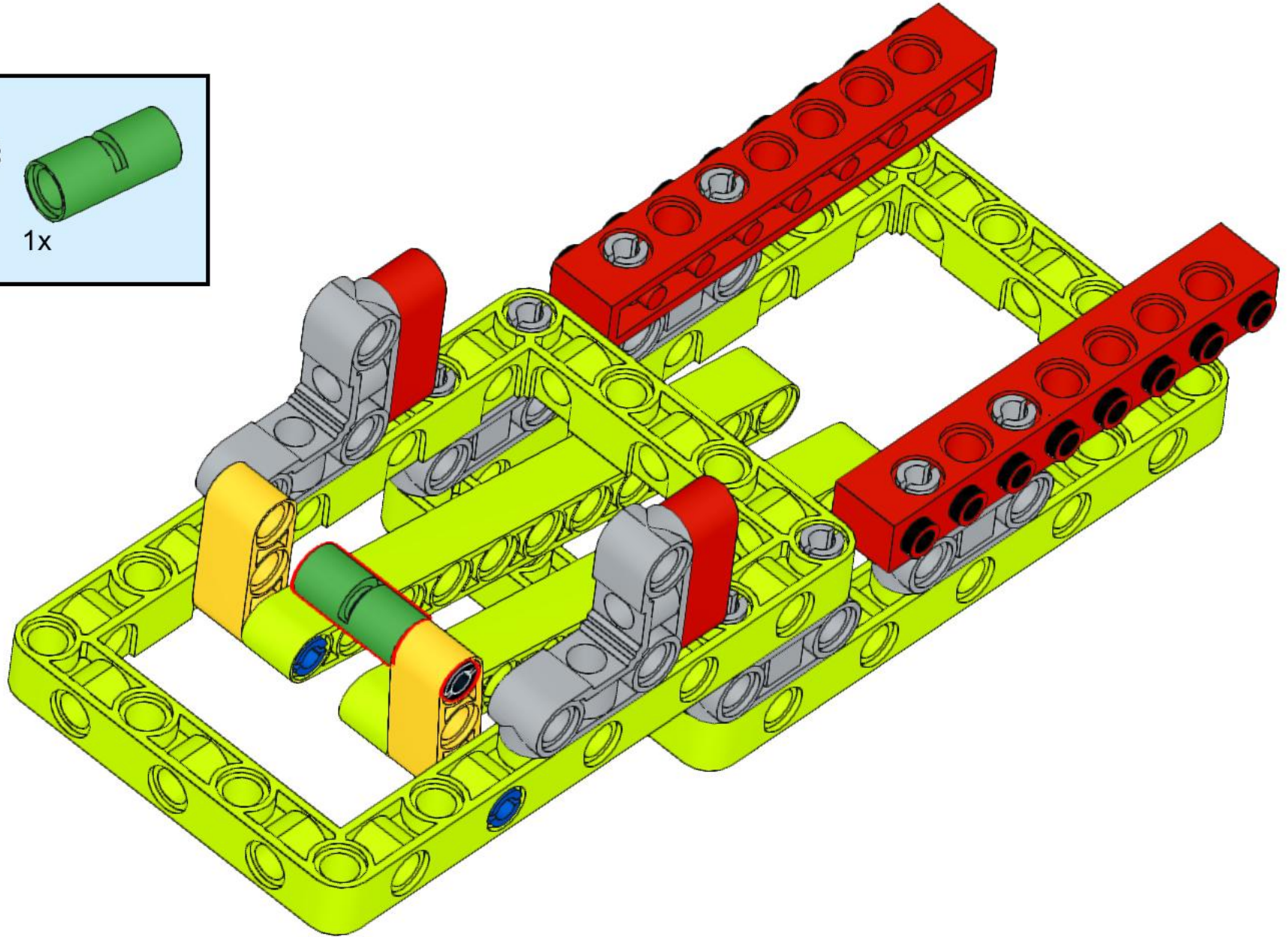
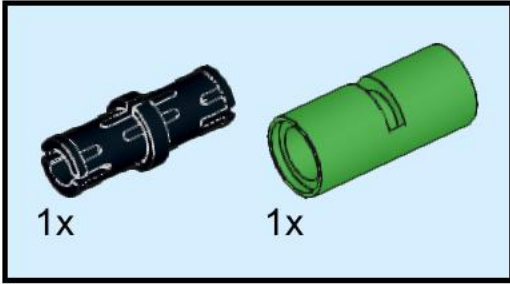
4



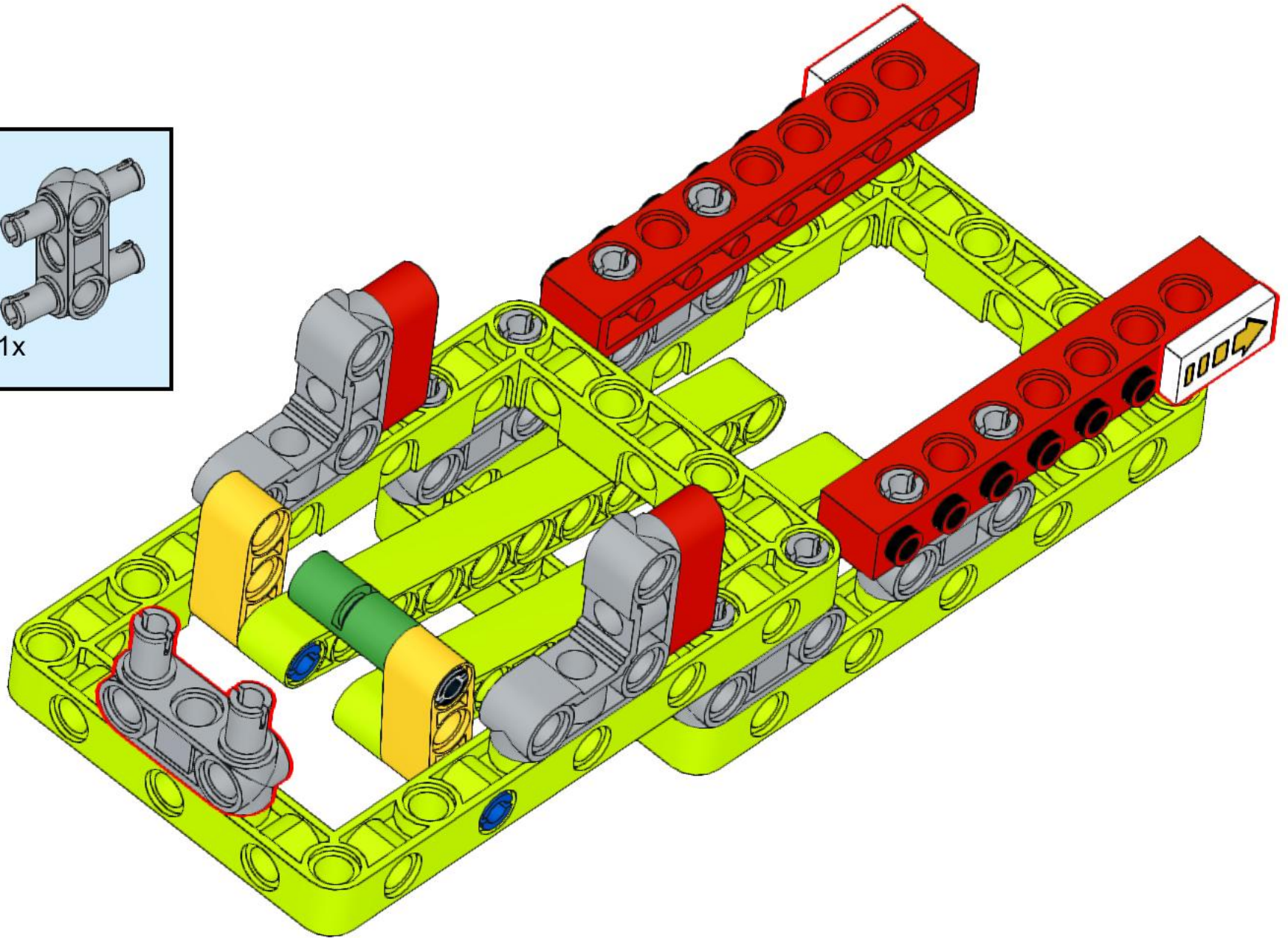
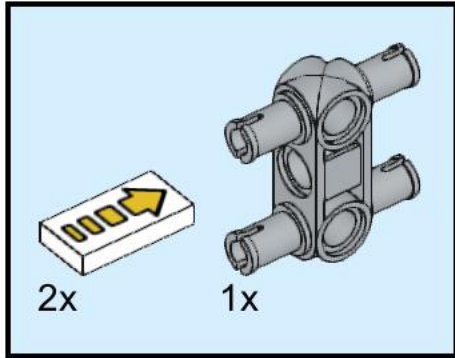
5



# 6

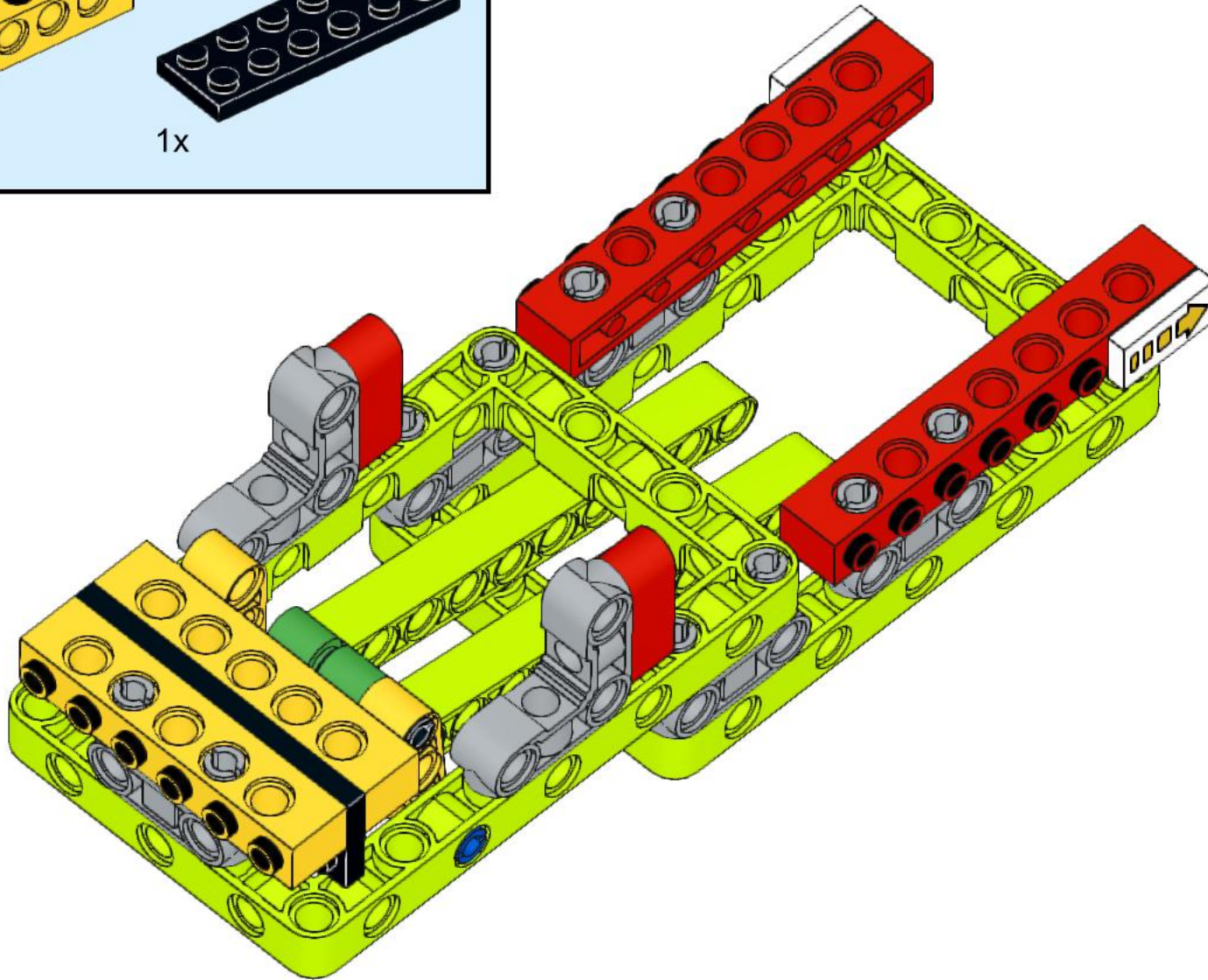
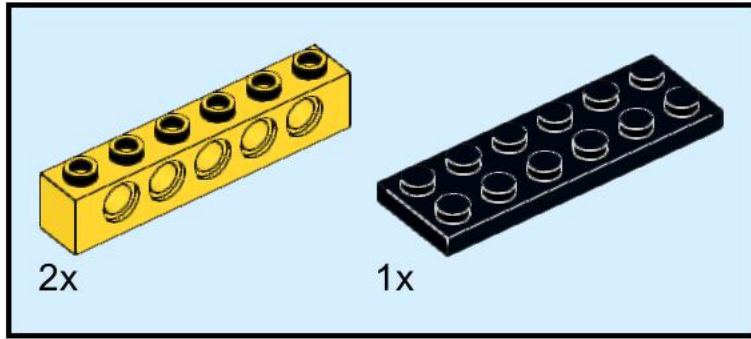


# 7

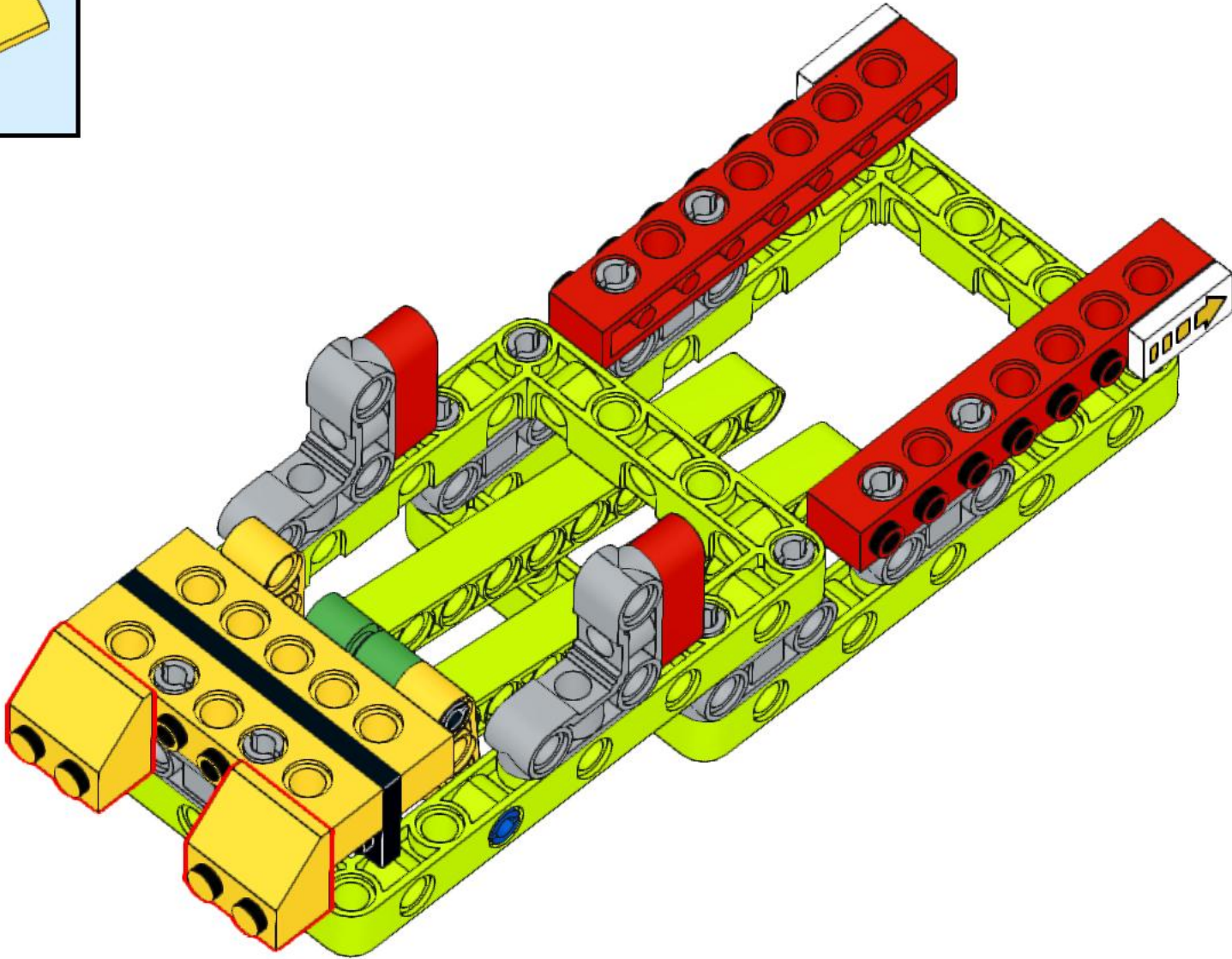
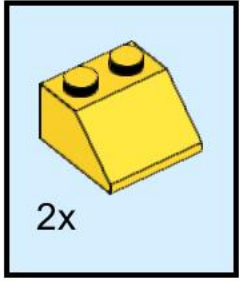




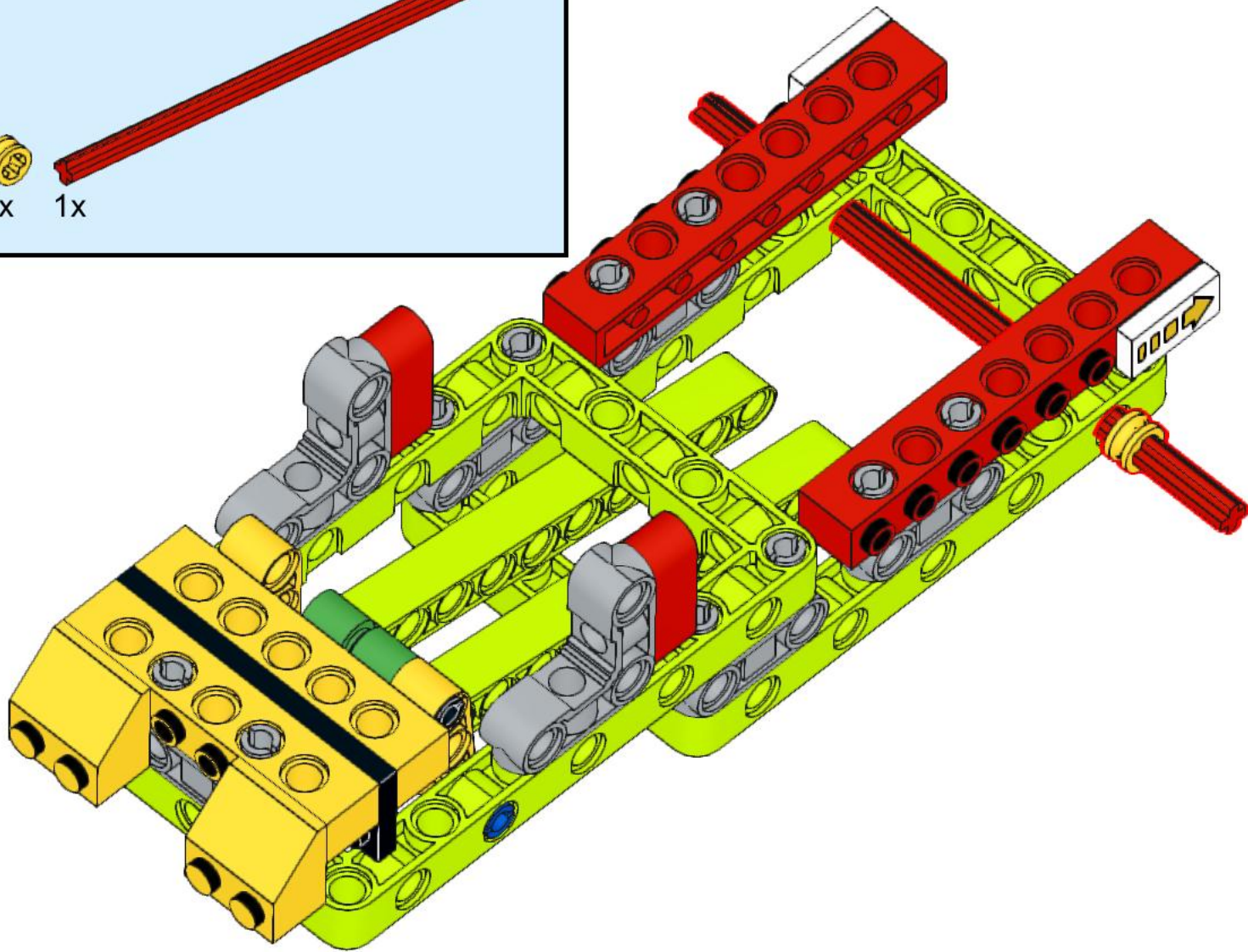
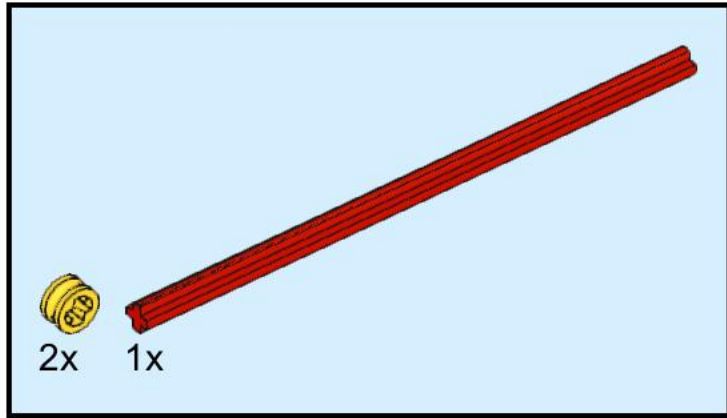
8



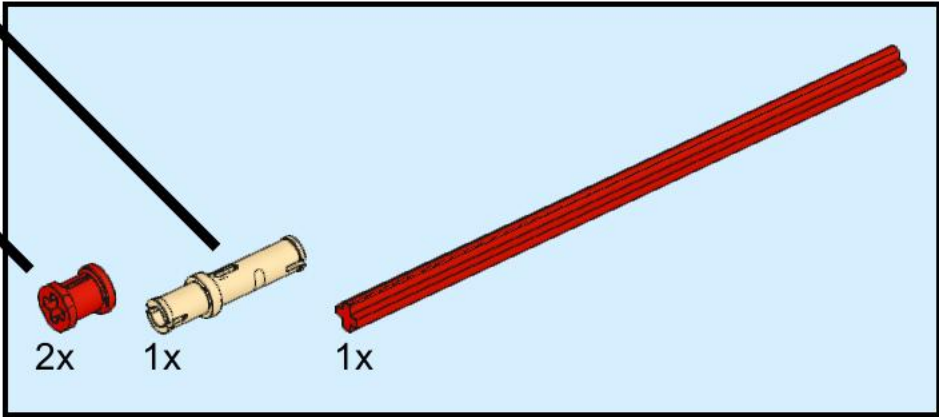
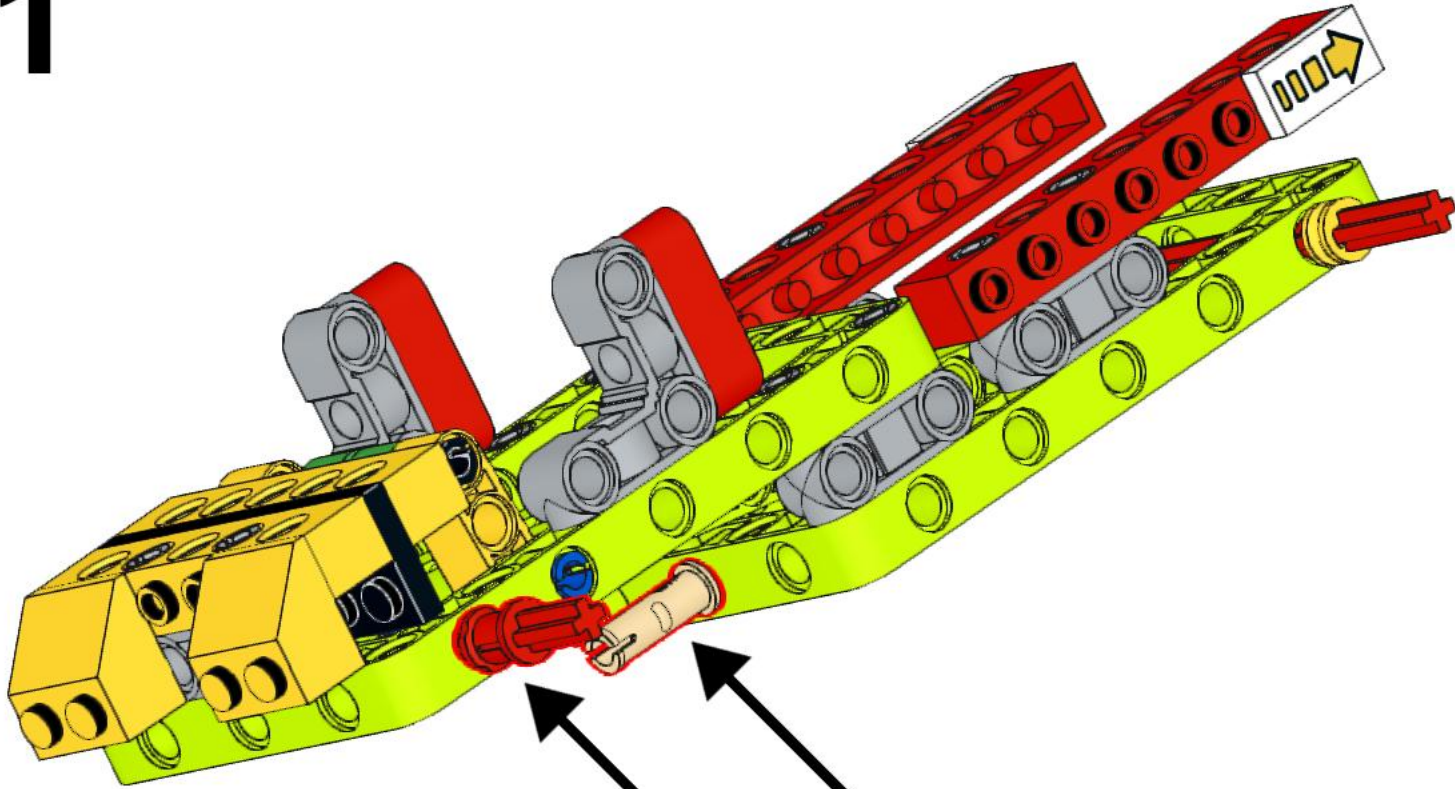
9



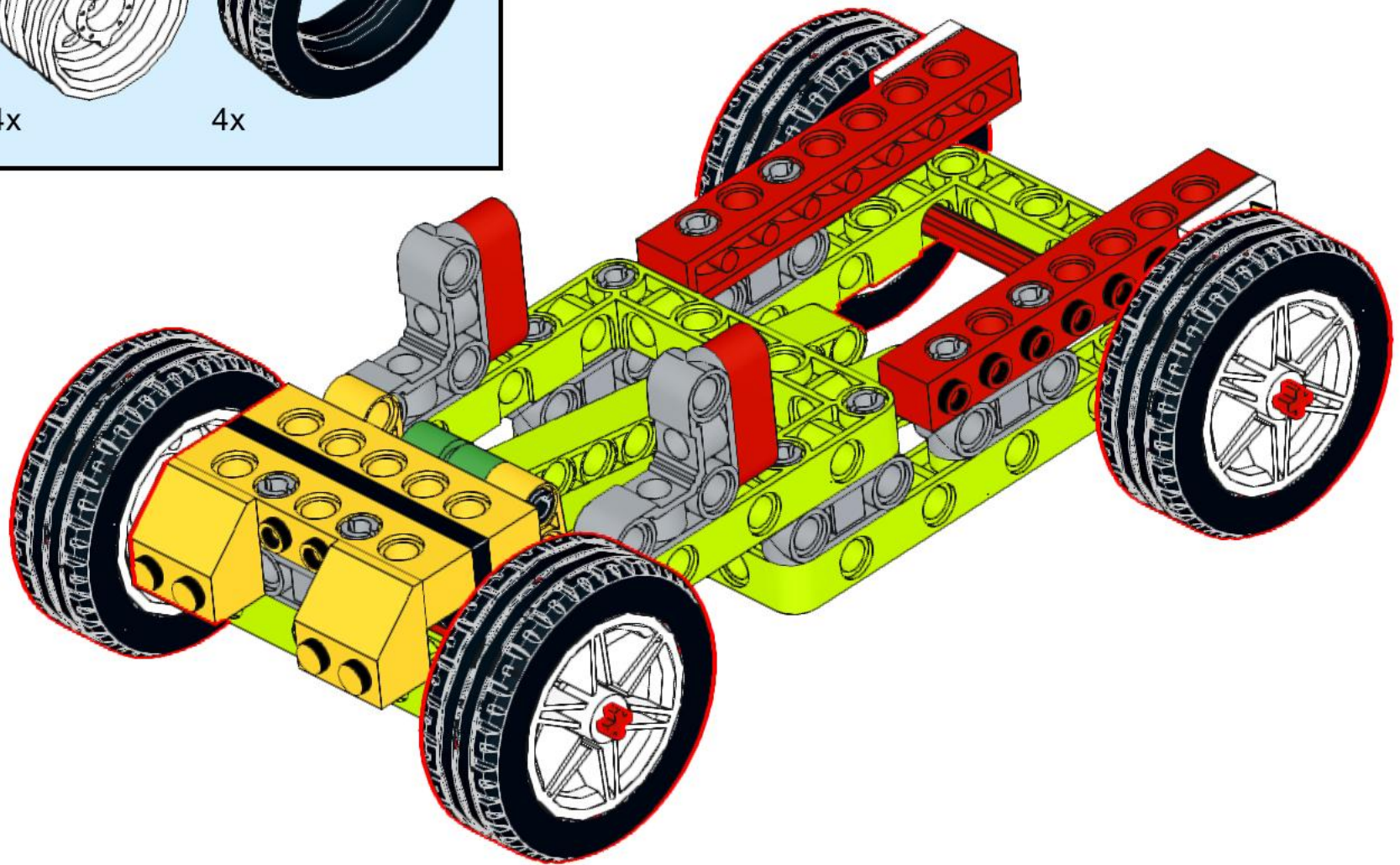
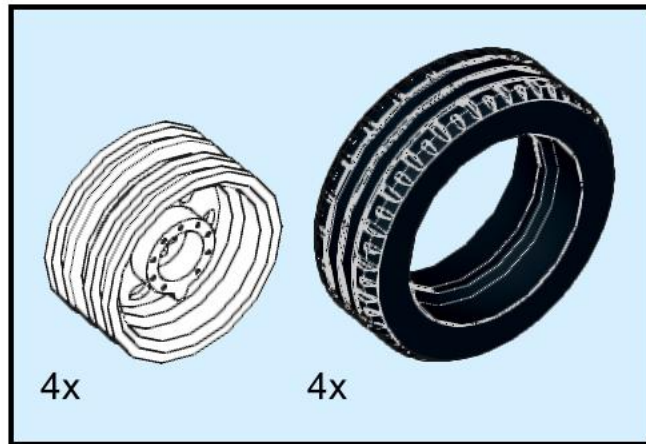
# 10



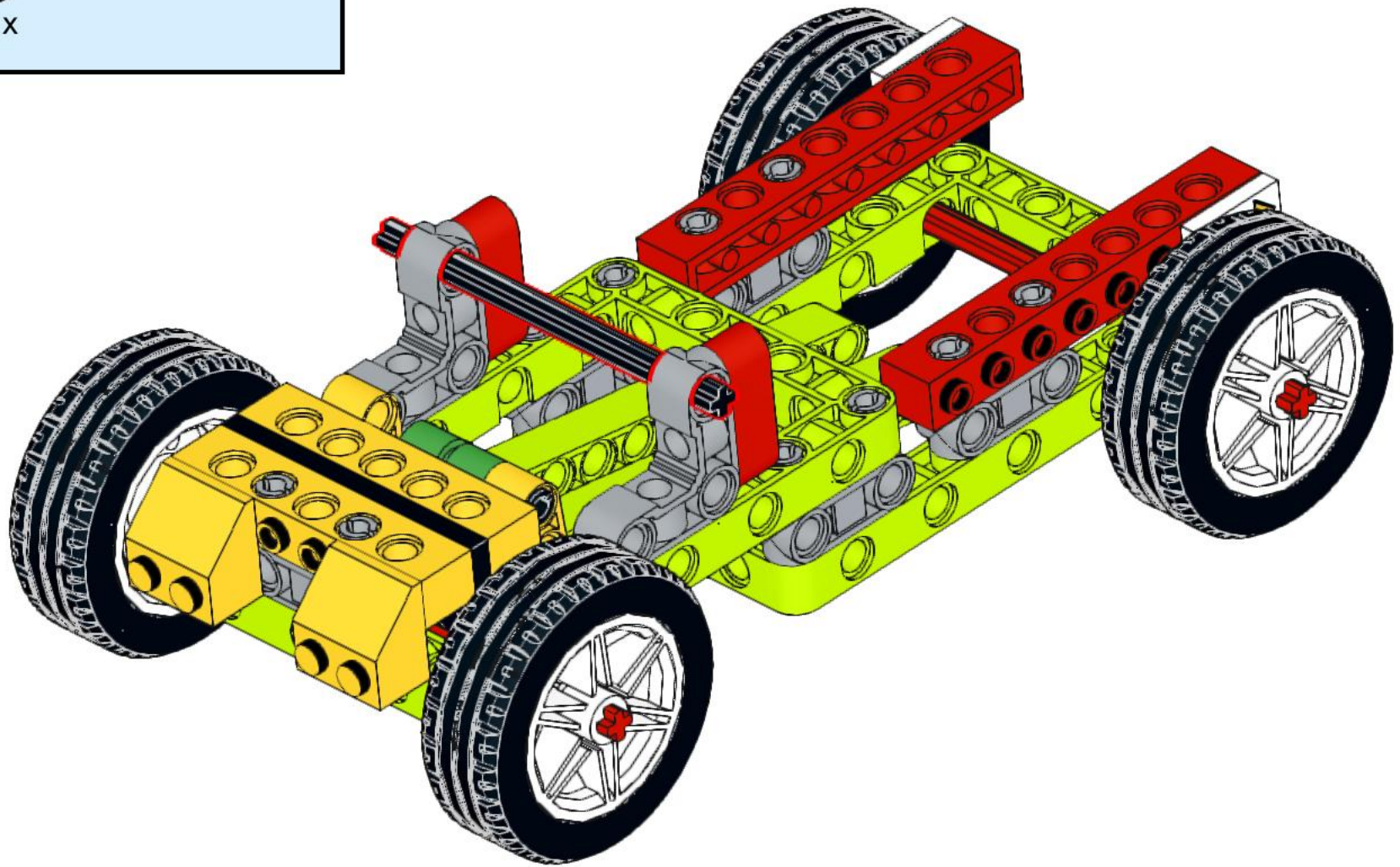
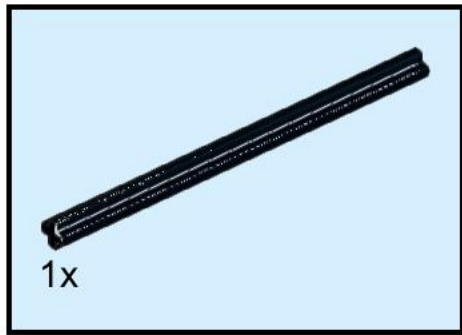
11



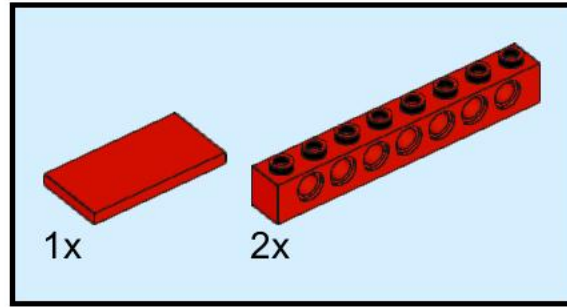
# 12



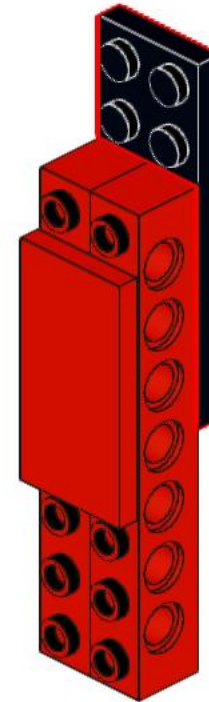
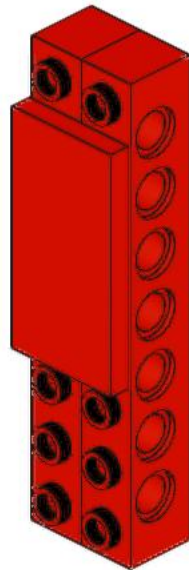
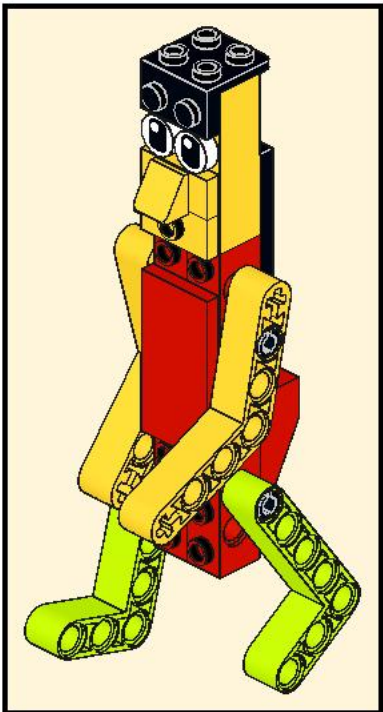
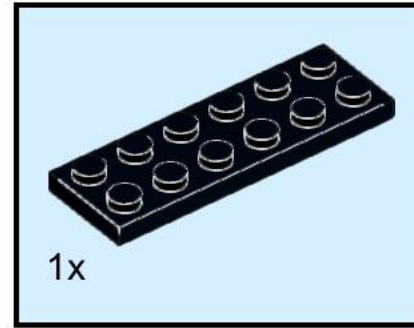
# 13



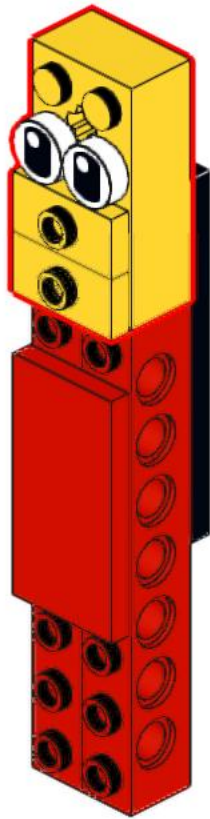
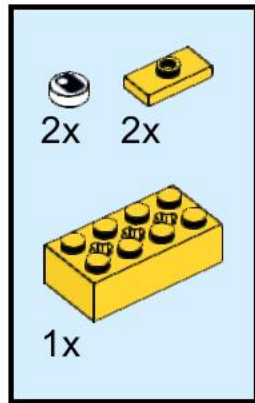
# 14



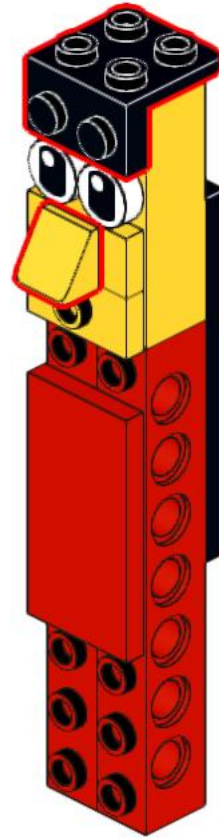
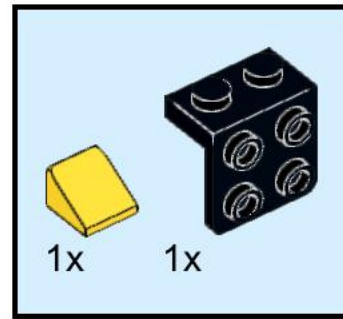
# 15



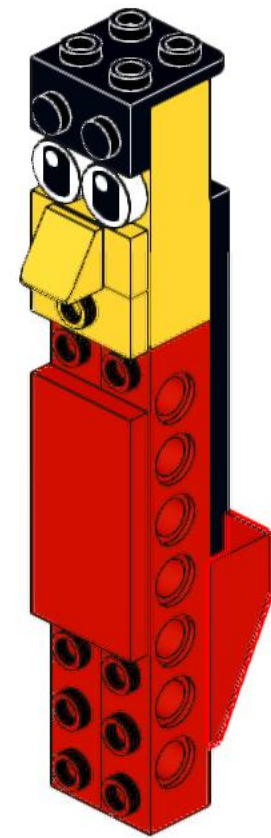
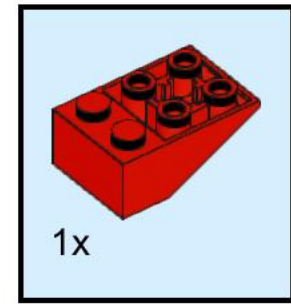
# 16



# 17

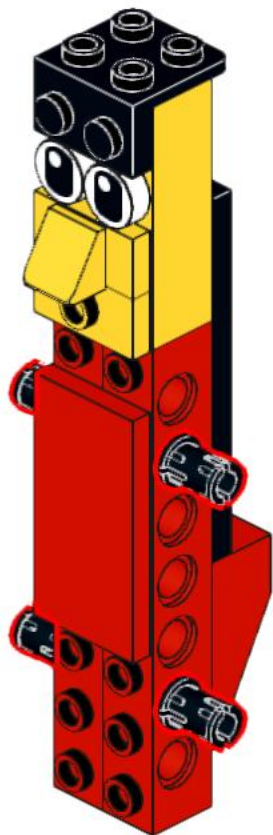


# 18

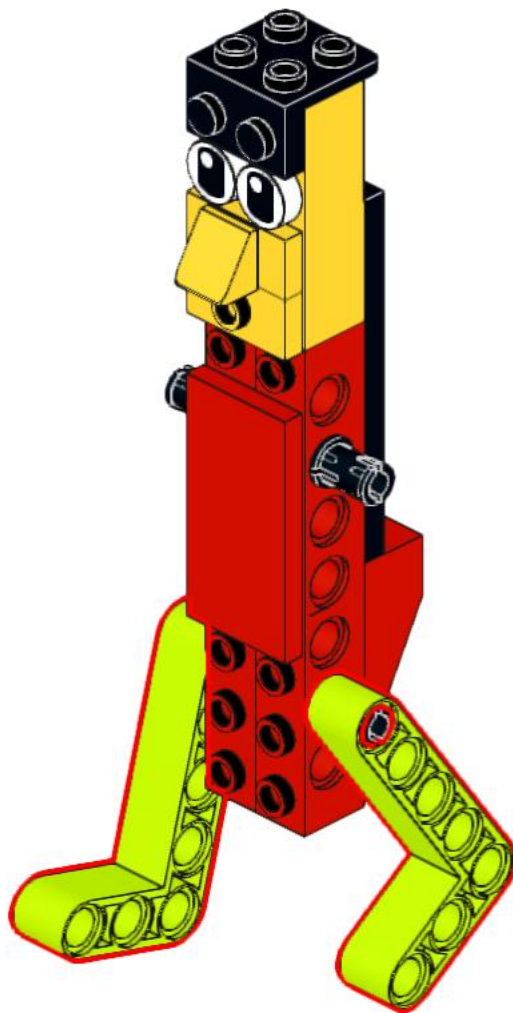
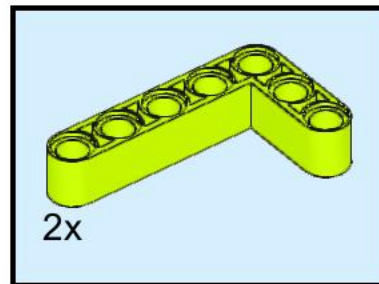




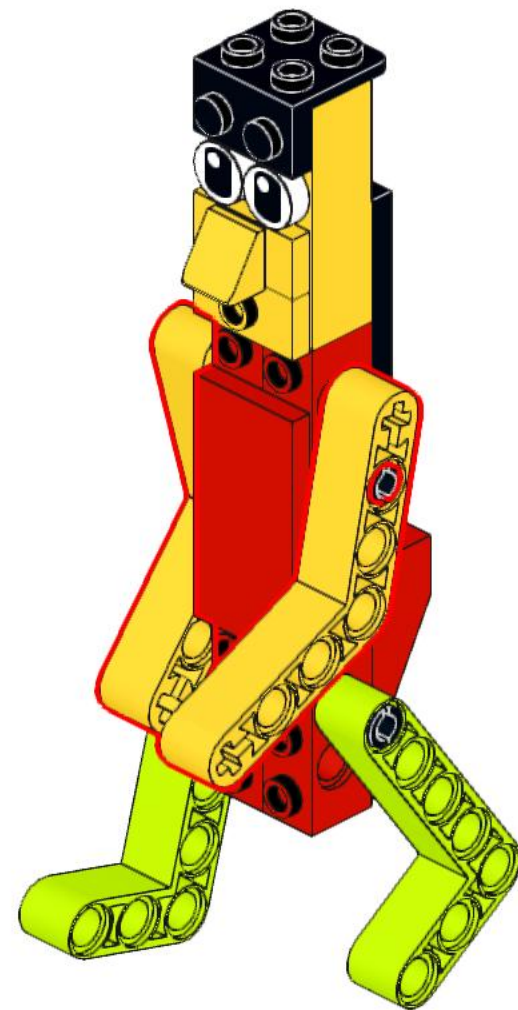
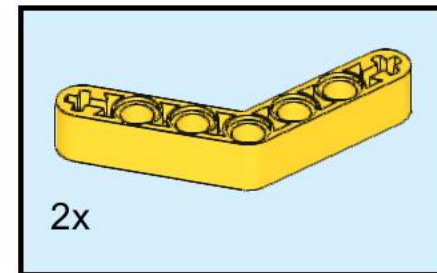
# 19



# 20

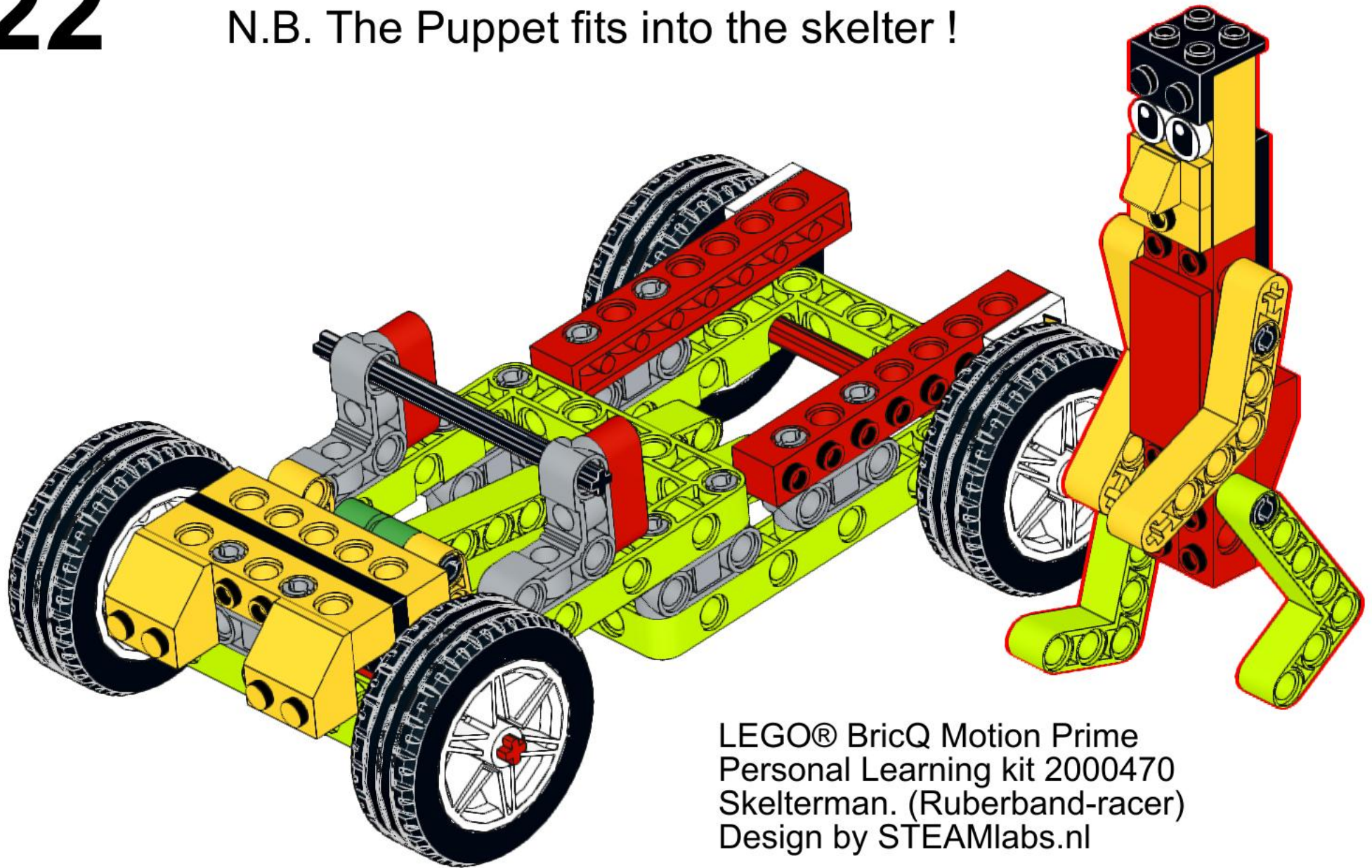


# 21



# 22

N.B. The Puppet fits into the skelter !



LEGO® BricQ Motion Prime  
Personal Learning kit 2000470  
Skeltermen. (Ruberband-racer)  
Design by STEAMlabs.nl